

## NEW PRODUCT RELEASE

### *FF1848-20 Foam Filled Float Drum*

Den Hartog Industries is proud to expand its line of float drums. The product is designed as a foam filled dock float. Float top and bottom are ribbed for strength. Sidewalls are ribbed at each connection point for strength. Foam filled products are certified annually by IMANNA Laboratories in accordance to industry standards.



#### FEATURES:

- Furnished with one 3/8" NPT plug for thermal ventilation when out of water
- 8 mounting slots for attachment
- Foam fill is expanded Polystyrene (EPS) with a density of 1 lb/cubic foot. Polystyrene is CFC free.
- Encasement is produced from Medium Density Polyethylene.
- Standard color is black
- Maximum support buoyancy of foam filled float is 542 lbs.

#### SPECIFICATIONS:

Overall Float Dimensions: 18" wide x 48" long x 20" tall

Shipping Weight: 33 lbs.

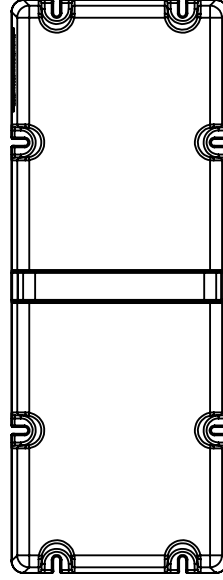
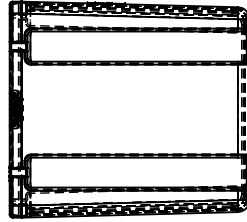
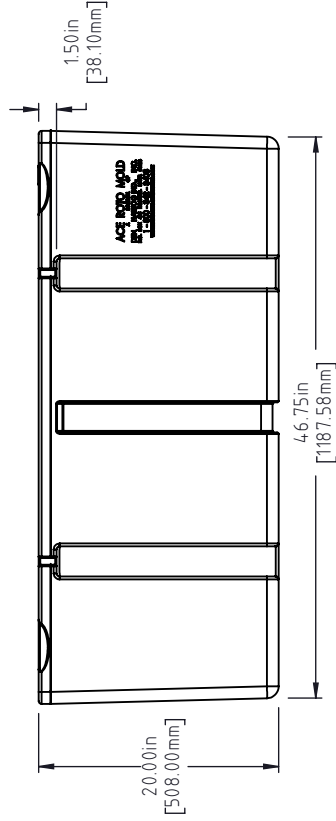
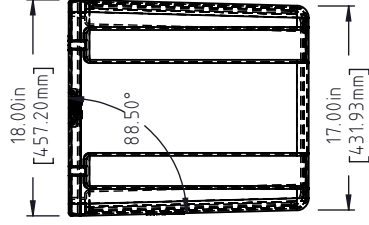
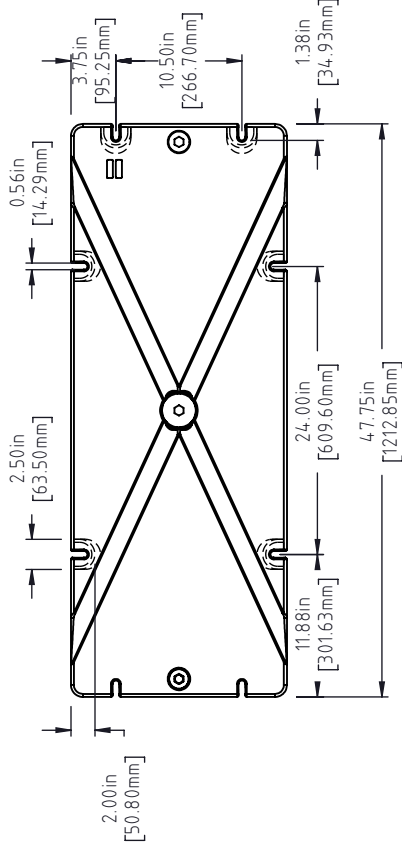


October 2024



Warning: Cancer and Reproductive Harm.  
Www.p65Warnings.ca.gov

Copyright: All information furnished within this document, electronic file or design correspondence is the property of Den Hartog Industries, Inc. and shall not be used, disclosed to others or copied without the expressed written consent of Den Hartog Industries, Inc.



NOTE:BUOYANCY: 542.50 LBS.(246.07 KG.)



**Den Hartog**  
+  
**INDUSTRIES, INC.**

**Ace Roto-Mold • Injection Molding • Blow Molding • Sowjoy**  
4010 HOSPERS DRIVE S. BOX 425, HOSPERS, IOWA 51238-0425

DRAWN / DATE	ADH 5/20/2024	MATERIAL :	POLYETHYLENE
APPRD. / DATE	BES 6/6/2024	NOTES:	1.) AF 24 LBS.(10.88 KG.) 2.) FF 33 LBS.(14.96 KG.) NOMINAL WALL THICKNESS: 0.15
SHOT WEIGHT:	24 LBS. (10.88 KG.)	DESCRIPTION	18 X 48 X 20 FLOAT
SHIPPING WEIGHT:	SEE NOTES	SCALE	N.S.
FINISH:		PART NO.	1848-20

REV.	DESCRIPTION	BY	DATE	CCN
	ALL DIMENSIONS ARE IN DECIMAL INCHES TOLERANCES UNLESS OTHERWISE SPECIFIED			
	POLYETHYLENE ±1% @ 68° F			
	METAL DECIMAL ± .125" FRACTION ± 1/4" ANGLE ± 1°			
	THIRD ANGLE PROJECTION ANSI 14.5W			

