

Ace Roto-Mold

NEW PRODUCT RELEASE

100 Gallon Space Saver Pickup Tank

Den Hartog Industries is pleased to announce the addition of a 100-gallon tank to our Space Saver Pickup Tank Line. This tank features wheel well recesses on each side. The tank top is designed with ribs and inserts on each side to accommodate a metal support structure for engine-driven pump and hose reel assemblies. Please note that the tank bottom must be fully supported for optimal use.



Part No.	Capacity	Description	Weight	Tank Dimensions
SSPU0100-70	100 Gallon	Space Saver Pickup Tank	86 lbs	70" x 17" x 42"

FEATURES:

- Tank is furnished with a 12" Vented Lid with lanyard.
- Standard weight tank is designed for chemicals with specific gravity of 1.7 or lower.
- Tanks are manufactured from high density polyethylene with UV stabilizers.
- Tank walls are translucent for level view and equipped with gallon indicators on one end of the tank.
- Standard color is white. Consult the factory for optional colors.

September 2024



Warning: Cancer and Reproductive Harm.
Www.p65Warnings.ca.gov

Ph: 800-342-3408
Fax: 712-752-8222

www.denhartogindustries.com
sales@denhartogindustries.com

4010 Hospers Dr. South
Hospers, IA 51238

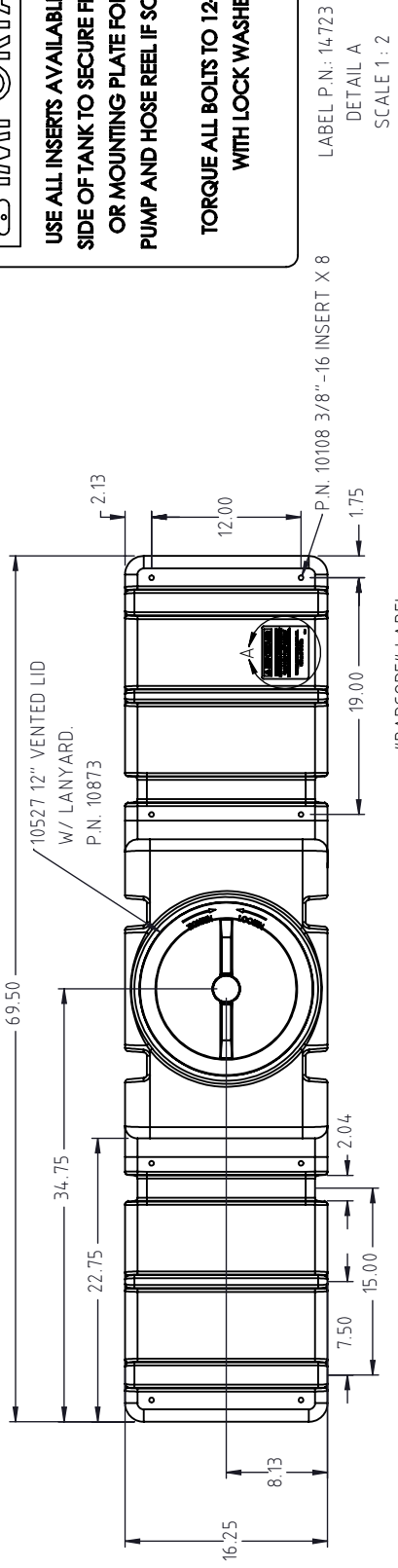
Copyright: All information furnished within this document, electronic file or design correspondence is the property of Den Hartog Industries, Inc. and shall not be used, disclosed to others or copied without the expressed written consent of Den Hartog Industries, Inc.

IMPORTANT:

USE ALL INSERTS AVAILABLE ON EACH SIDE OF TANK TO SECURE FRAMEWORK OR MOUNTING PLATE FOR ENGINE/ PUMP AND HOSE REEL IF SO EQUIPPED.

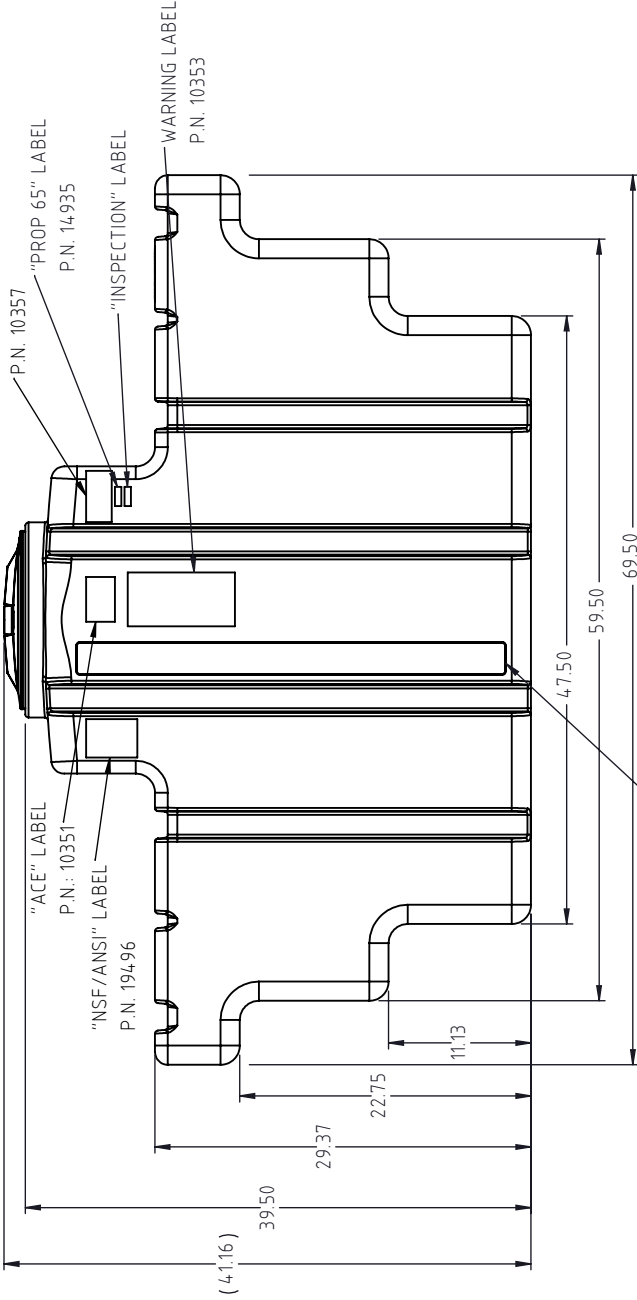
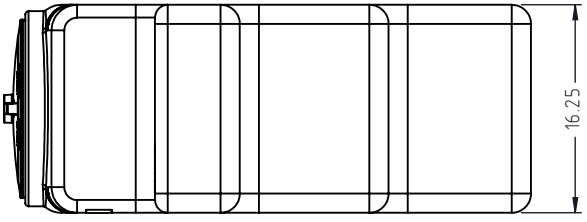
TORQUE ALL BOLTS TO 12-15 FT. LBS. WITH LOCK WASHERS.

1428



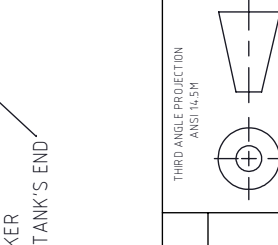
LABEL P.N.: 14-723
DETAIL A
SCALE 1:2

P.N. 10108 3/8"-16 INSERT X 8



GALLON MARKER
LOCATED ON TANK'S END

DRAWN / DATE ADH 6/19/2024	MATERIAL: 14575 1.7 MELT
APPRD. / DATE BES 7/9/2024	NOTES: 1.) 0.325" WALL
SHOT WEIGHT: 84 LBS	
SHIPPING WEIGHT: 86 LBS	
FINISH:	



ALL DIMENSIONS ARE IN DECIMAL INCHES
TOLERANCES UNLESS OTHERWISE SPECIFIED

POLYETHYLENE
±1% @ 68°F

METAL
DECIMAL ± .125"
FRACTION ± 1/4"
ANGLE ± 1°



Den Hartog INDUSTRIES, INC.

Ace Roto-Mold • Injection Molding • Blow Molding • Sowjoy
4010 HOSPERS DRIVE S. BOX 425, HOSPERS, IOWA 51238-0425

DESCRIPTION 100 GALLON SPACE SAVER TANK

SCALE N.S. PART NO. SSPU0100-70

SHEET 1 OF 1