

Ace Roto-Mold

NEW PRODUCT RELEASE

DCBM24-12 24" x 12" Blow Molded Dock Cushion

Product is a blow molded dock cushion. The cushion is intended for the protection of watercraft when porting and de-porting the dock.

FEATURES:

- Comes in Black or White.
- Can be folded to make a corner cushion.
- Made from HDPE with UV inhibitors.
- 4.15" x .75" slots for more flexibility when mounting.
- Multiple mounting locations.
- Part comes in pairs and can be separated at the pinch line in the center.
- Packaged 12 to a box.



SPECIFICATIONS:

Overall Dimensions: 24" L x 3" W x 12" H
Shipping Weight : 3 lbs.

April 2024

 **Den Hartog**
INDUSTRIES, INC.
"Always at Your Service"



Warning: Cancer and Reproductive Harm.
www.p65Warnings.ca.gov

Ph: 800-342-3408
Fax: 712-752-8222

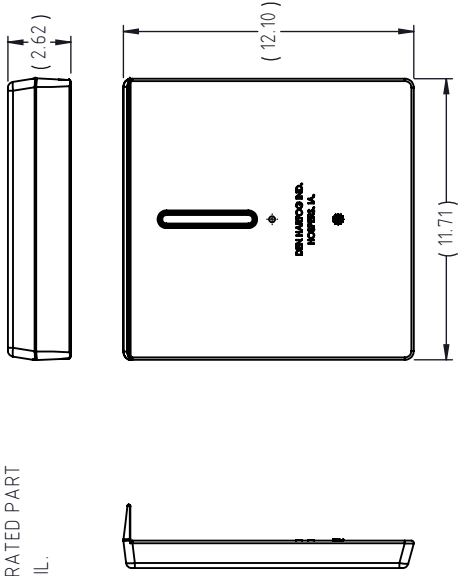
www.denhartogindustries.com
sales@denhartogindustries.com

4010 Hospers Dr. South
Hospers, IA 51238

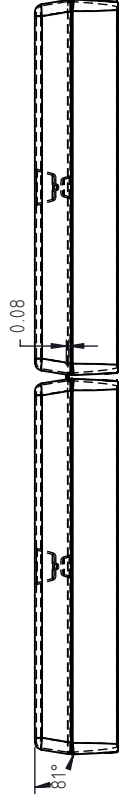
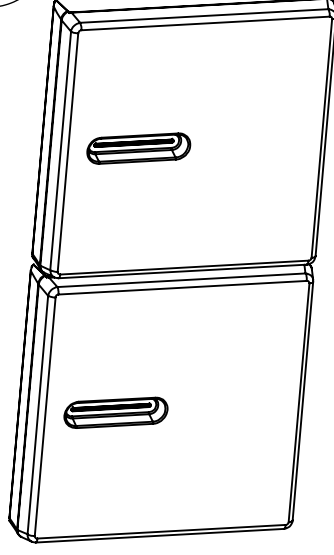
DEN HARTOG INDUSTRIES, INC.

Copyright: All information furnished within this document, electronic file or design correspondence is the property of Den Hartog Industries, Inc. and shall not be used, disclosed to others or copied without the expressed written consent of Den Hartog Industries, Inc.

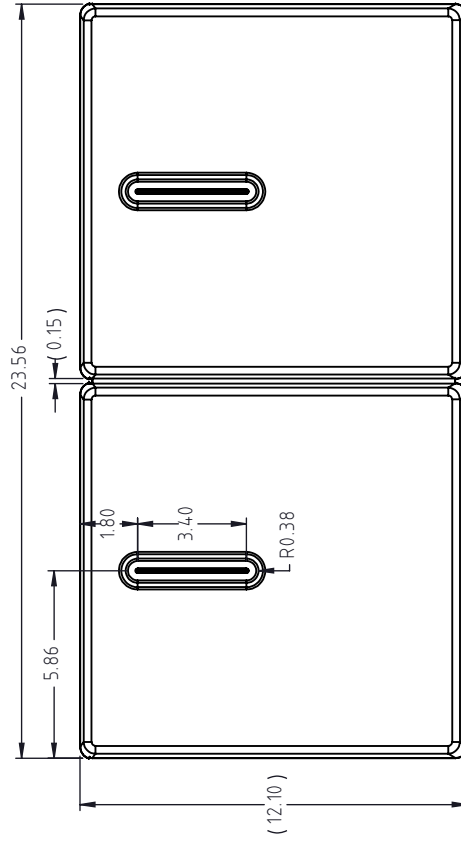
**SEPERATED PART
DETAIL.**



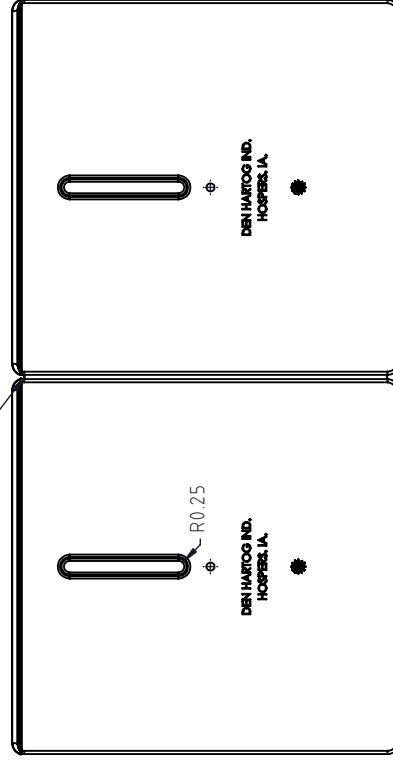
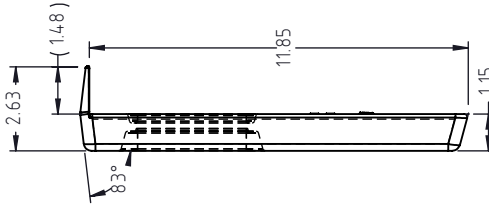
DCBM24-12



PART WILL COME IN PAIRS AND
CAN BE SEPERATED AT THE
PINCH LINE IN THE CENTER.



FRONT VIEW



BACK VIEW

REV.	DESCRIPTION	BY	DATE	CCN
	ALL DIMENSIONS ARE IN DECIMAL INCHES TOLERANCES UNLESS OTHERWISE SPECIFIED			
	POLYETHYLENE ±1% @ 68°F			
	METAL DECIMAL ± .125" FRACTION ± 1/4" ANGLE ± 1°			
		THIRD ANGLE PROJECTION ANSI 14.5M		

DRAWN / DATE	MATERIAL :
ADH 2/7/2024	HDPE OR EQUIVALENT REFERENCE MATERIAL DATA SHEET FOR SPECIFIC PROPERTIES.
APPRD. / DATE	NOTES: 1.) NOM. WALL @ .140 2.) COMPOUNDED UV INHIBITOR 3.) BLACK OR WHITE COLOR
BES 3/22/2024	
SHOT WEIGHT: 3.00 LBS.	
SHIPPING WEIGHT:	
FINISH: Remove Flash	



**Den Hartog
INDUSTRIES, INC.**

Acce Roto-Mold • Injection Molding • Blow Molding • Sowjoy
4010 HOSPERS DRIVE S. BOX 425, HOSPERS, IOWA 51238-0425

DESCRIPTION: CUSHION, 24IN X 12IN BLOW MOLDED

SCALE	PART NO.	SHEET
N.S.	DCBM24-12	1 OF 1