

Ace Roto-Mold

NEW PRODUCT RELEASE

EO0300-48 Elliptical—offset lid option

Den Hartog Industries Inc. is proud to introduce a new addition to our elliptical tank line. Offset lid options are available on the 300 Gallon Elliptical tank. The elliptical shape of the tank lowers the center of gravity to enhance transport stability. Two band recesses are provided around the tank to facilitate anchoring. Tank requires the bottom to be fully supported with a cradle for use.




Part No.	Capacity	Description	Weight	Tank Dimensions
EO0300-48	300 Gallon	Offset Elliptical	114	48" x 71" x 30"

FEATURES:

- Furnished with a 16" lid.
- Standard fittings for tank are 1-1/4" and 3/4" in sump.
- Tank manufactured from linear low-density polyethylene with UV inhibitors.
- Designed for containment of liquids of up to 1.7 specific gravity.
- Tank walls are translucent for level viewing and equipped with gallon indicators.
- Standard colors are white, yellow and black.
- Requires use of HE0300-C to support tank.



 **Warning:** Cancer and Reproductive Harm.
www.p65Warnings.ca.gov

September 2024

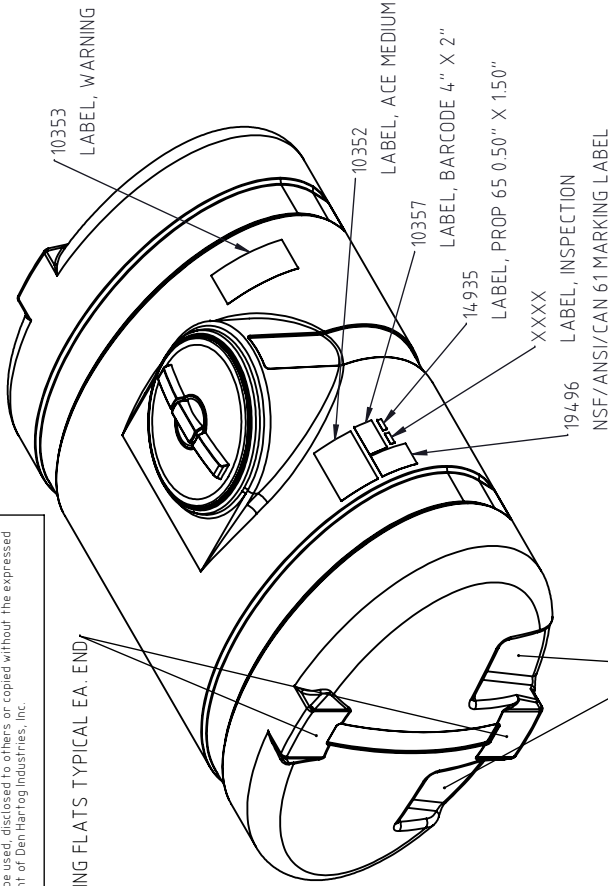
Ph: 800-342-3408
Fax: 712-752-8222

www.denhartogindustries.com
sales@denhartogindustries.com

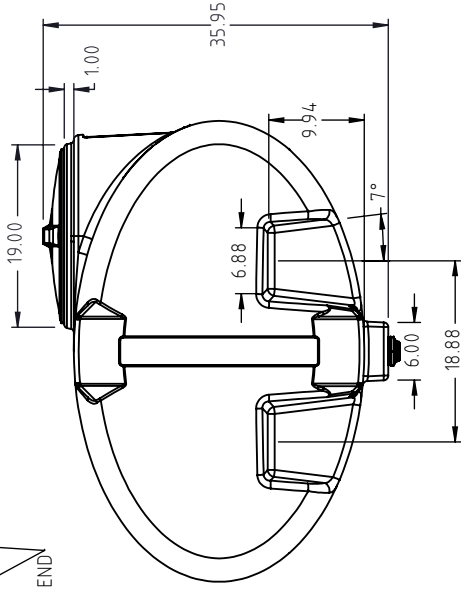
4010 Hospers Dr. South
Hospers, IA 51238

© DEN HARTOG INDUSTRIES, INC.
 Copyright. All information furnished within this document, electronic file or design correspondence is the property of Den Hartog Industries, Inc. and shall not be used, disclosed to others or copied without the expressed written consent of Den Hartog Industries, Inc.

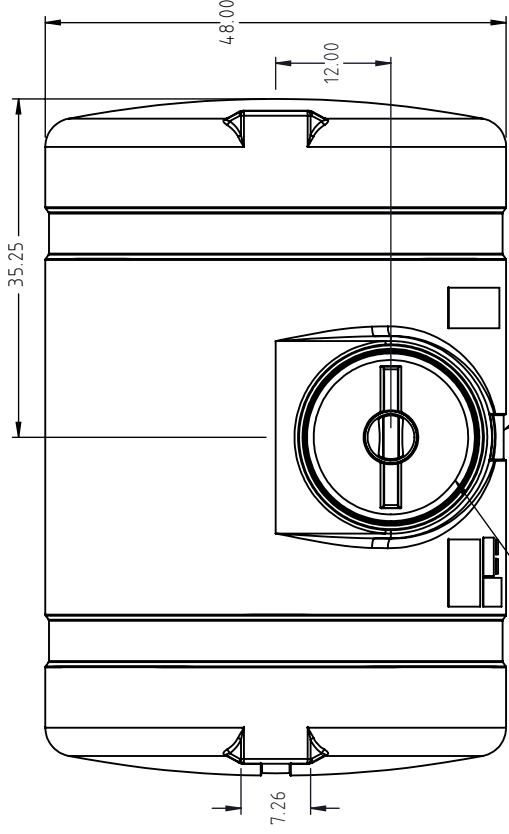
FITTING FLATS TYPICAL EA. END.



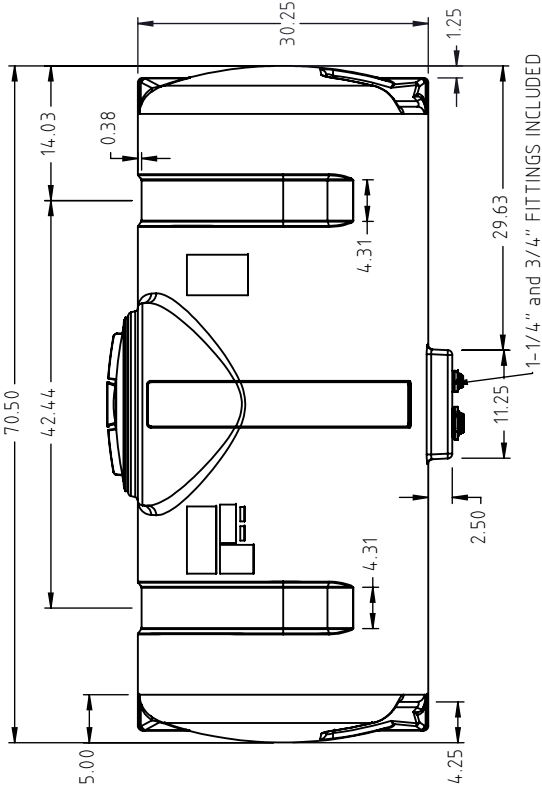
FITTING FLATS TYPICAL EA. END.



E00300-48



STANDARD LID IS 16" P.N. 10528
 GALLON / LITER INDICATORS ONE SIDE AND ONE END.
 GALLON CALIBRATIONS ARE IN 25 GAL. INCREMENTS



REV.	DESCRIPTION	BY	DATE	CCN
	ALL DIMENSIONS ARE IN DECIMAL INCHES TOLERANCES UNLESS OTHERWISE SPECIFIED			
	POLYETHYLENE ±1% @ 68°F			
	METAL DECIMAL ± .125" FRACTION ± 1/4" ANGLE ± 1°			
		THIRD ANGLE PROJECTION ANSI 14.5M		
DRAWN / DATE ADH 9/6/2023		MATERIAL : LLDPE		
APPRD. / DATE BES 5/1/2024		NOTES: NOMINAL WALL THICKNESS: 0.300		
SHOT WEIGHT: 112.00 LBS. SHIPPING WEIGHT: 114.00 LBS. FINISH:		DESCRIPTION EO, ELLIPTICAL OFFSET LID 300 GAL TANK		
		SCALE N.S.	PART NO. E00300-48	SHEET 1 OF 1



**Den Hartog
 INDUSTRIES, INC.**

Ace Roto-Mold • Injection Molding • Blow Molding • Sowjoy
 4010 HOSPERS DRIVE S. BOX 425, HOSPERS, IOWA 51238-0425