

Ace Roto-Mold

NEW PRODUCT RELEASE

EO0500-57 Elliptical—offset lid option

Den Hartog Industries Inc. is proud to introduce a new addition to our elliptical tank line. Offset lid options are available on the 500 Gallon Elliptical tank. The elliptical shape of the tank lowers the center of gravity to enhance transport stability. Three band recesses are provided around the tank to facilitate anchoring. Tank requires the bottom to be fully supported with a cradle for use. This tank is available with sump options of center, offset, or deep.




Part No.	Capacity	Description	Weight	Tank Dimensions
EO0500-57	500 Gallon	Offset Elliptical	165	58 x 83 x 42

FEATURES:

- Furnished with a 16" vented lid.
- Standard fittings for tank are 1-1/4" and 3/4" in sump.
- Tank manufactured from linear low density polyethylene with UV inhibitors .
- Designed for containment of liquids of up to 1.7 specific gravity.
- Tank walls are translucent for level viewing and equipped with gallon and liter indicators.
- Requires use of HE0500-C to support tank.

January 2025

 **Den Hartog**
INDUSTRIES, INC.
"Always at Your Service"

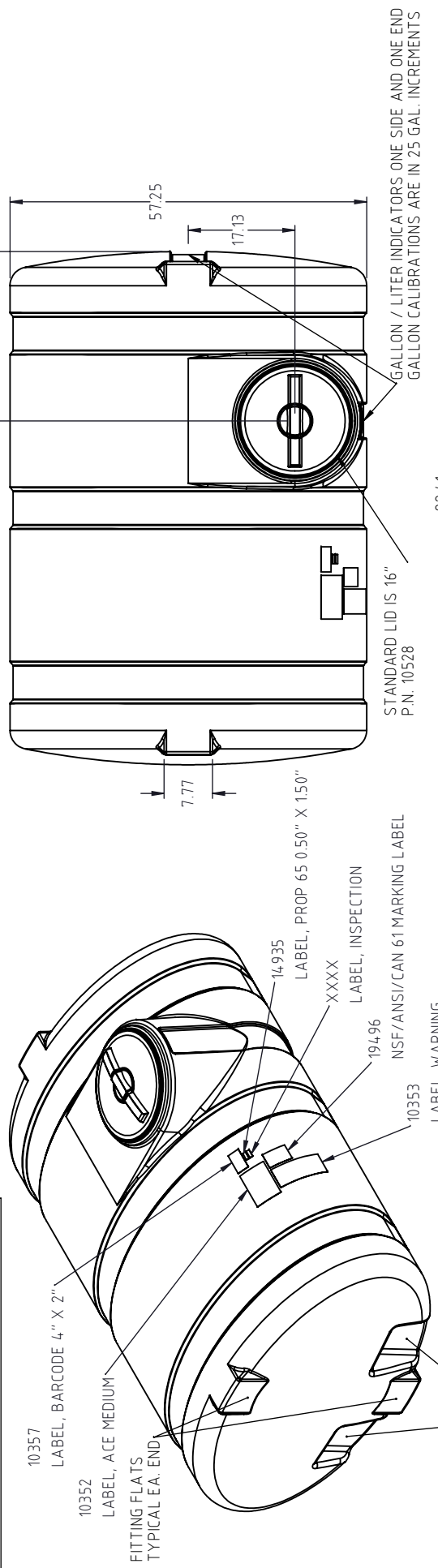
 **Warning:** Cancer and Reproductive Harm.
www.p65Warnings.ca.gov

Ph: 800-342-3408
Fax: 712-752-8222

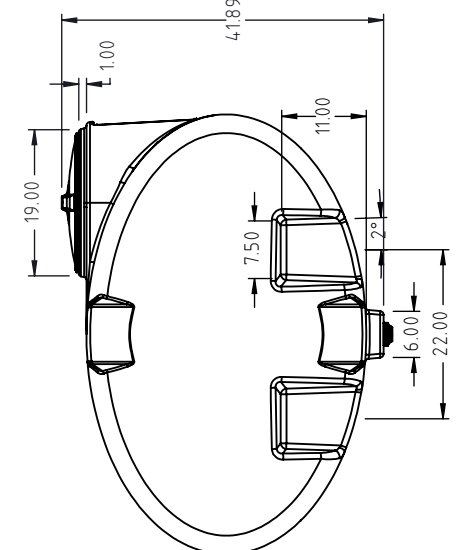
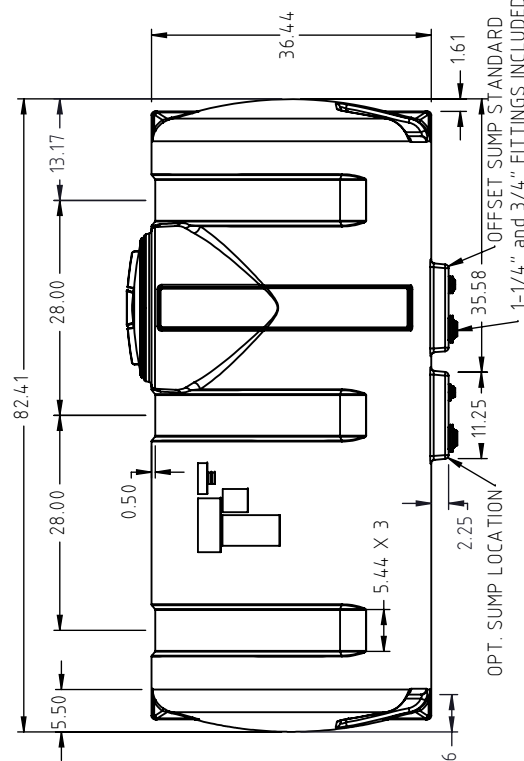
www.denhartogindustries.com
sales@denhartogindustries.com

4010 Hospers Dr. South
Hospers, IA 51238

Copyright: All information furnished within this document, electronic file or design correspondence is the property of Den Hartog Industries, Inc. and shall not be used, disclosed to others or copied without the expressed written consent of Den Hartog Industries, Inc.



STANDARD LID IS 16" P.N. 10528
 GALLON / LITER INDICATORS ONE SIDE AND ONE END
 GALLON CALIBRATIONS ARE IN 25 GAL. INCREMENTS



REV.	DESCRIPTION	BY	DATE	CCN	DRAWN / DATE	MATERIAL:
	ALL DIMENSIONS ARE IN DECIMAL INCHES TOLERANCES UNLESS OTHERWISE SPECIFIED				ADH 9/6/2023	POLYETHYLENE
	POLYETHYLENE				APPRD: / DATE	
	±1% @ 68°F				BES 5/1/2024	
	METAL				SHOT WEIGHT: 163.00 LBS	NOTES:
	DECIMAL ± .125"				SHIPPING WEIGHT: 165.00 LBS	NOMINAL WALL THICKNESS:
	FRACTION ± 1/4"				FINISH:	0.310"
	ANGLE ± 1°					
					DESCRIPTION: EO, ELLIPTICAL OFFSET LID 500 GAL TANK	
					SCALE: N.S.	PART NO: E00500-57
					SHEET: 10 OF 1	



Den Hartog INDUSTRIES, INC.

Ace Roto-Mold • Injection Molding • Blow Molding • Sowjoy
 4010 HOSPERS DRIVE S. BOX 425, HOSPERS, IOWA 51238-0425