

Ace Roto-Mold

NEW PRODUCT RELEASE

SP0025-RT

Den Hartog Industries is excited to announce the addition of a new specialty tank; a 25 gallon rectangular flat bottom tank. This freestanding rectangular tank is suitable for both indoor and outdoor applications. It can be used in stationary or transportable settings, making it highly versatile for many needs.



Shown with optional 10921 lid.

FEATURES:

- Manufactured from rotationally molded polyethylene with U.V. stabilizers
- Standard colors are white and black
- 5" vented lid assembly is standard equipment
- 1" fitting is standard on the tank.

SPECIFICATIONS:

Dimensions: 16" wide x 34" long x 16" tall

Weight of tank is 18 lbs.

June 2024

 **Den Hartog**
INDUSTRIES, INC.
"Always at Your Service"



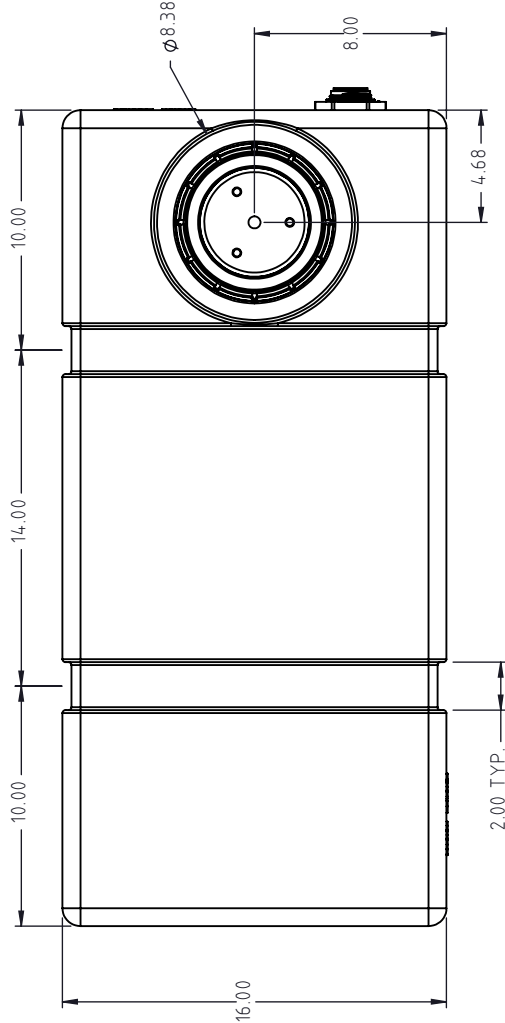
Warning: Cancer and Reproductive Harm.
www.p65Warnings.ca.gov

Ph: 800-342-3408
Fax: 712-752-8222

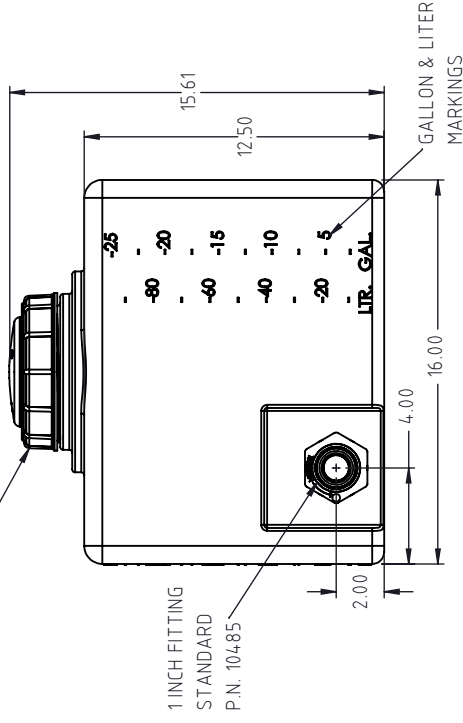
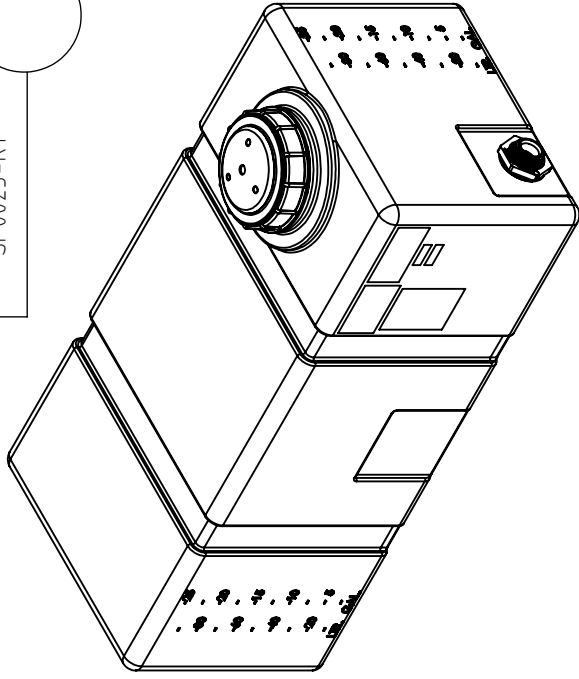
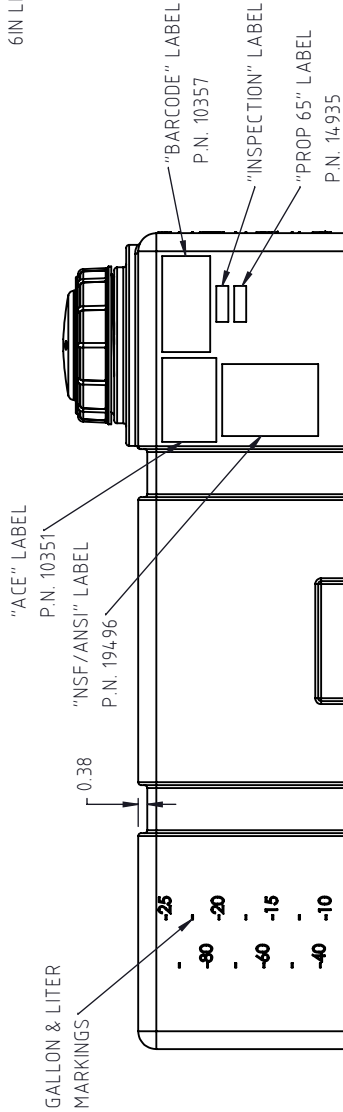
www.denhartogindustries.com
sales@denhartogindustries.com

4010 Hospers Dr. South
Hospers, IA 51238

Copyright: All information furnished within this document, electronic file or design correspondence is the property of Den Hartog Industries, Inc. and shall not be used, disclosed to others or copied without the expressed written consent of Den Hartog Industries, Inc.



5 IN VENTED LID P.N. 13696 STANDARD
6 IN LID P.N. 10921 OPTIONAL



1 INCH FITTING
STANDARD
P.N. 10485

OPTIONAL FITTING
FLAT LOCATION

REV.	DESCRIPTION	BY	DATE	CCN
	ALL DIMENSIONS ARE IN DECIMAL INCHES TOLERANCES UNLESS OTHERWISE SPECIFIED			
	POLYETHYLENE ±1% @ 68°F			
	METAL DECIMAL ± .125" FRACTION ± 1/4" ANGLE ± 1°			
			THIRD ANGLE PROJECTION ANSI 14.50	
			SHIPPING WEIGHT: 18 LBS.	
			FINISH:	
			SHOT WEIGHT: 16 LBS.	
			BES 5/6/2024	
			SAS 4/11/2024	
			MATERIAL: LLDPE	
			NOTES: 1.) NOM. WALL 0.200"	
			DESCRIPTION: SP, RECTANGLE 25 GAL TANK	
			SCALE: N.S.	
			PART NO: SP0025-RT	
			SHEET: 1 OF 1	



Den Hartog
INDUSTRIES, INC.

Ace Roto-Mold • Injection Molding • Blow Molding • Sowjoy
4010 HOSPERS DRIVE S. BOX 425, HOSPERS, IOWA 51238-0425