

Ace Roto-Mold

New Product Release

4700 Gallon Vertical Tank

Den Hartog Industries is pleased to announce a new addition to our vertical tank line. The 4700 Gallon Vertical tank is a freestanding tank with a flat bottom for indoor or outdoor applications.



Part No.	Description	Weight	Tank Dimensions Dia x H
VT4700-120	4700 Gallon Vertical Tank	954	120" x 112"

FEATURES:

- Furnished with a 16" Vented Lid as standard.
- 3" bulkhead w/ 3" syphon tube as standard.
- Gallon and liter indicators are included in the sidewall.
- Tank has 4 tie down lugs on the top to facilitate anchoring.
- Designed for containment of chemicals with a specific gravity of 1.7.
- Colors options are white, yellow, and light blue.

January 2025



Warning: Cancer and Reproductive Harm.
Www.p65Warnings.ca.gov

Ph: 800-342-3408
Fax: 712-752-8222

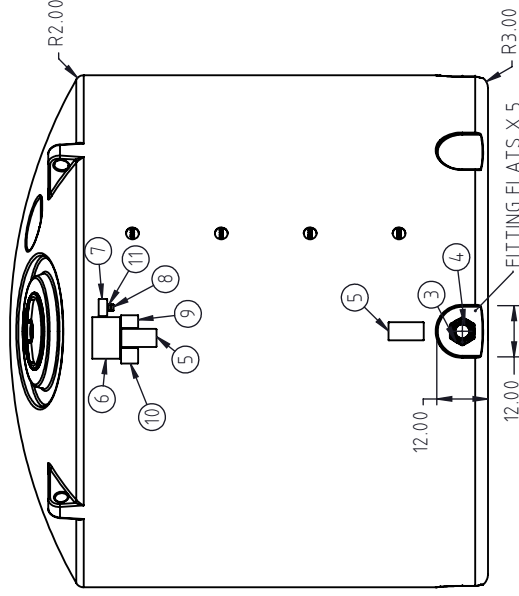
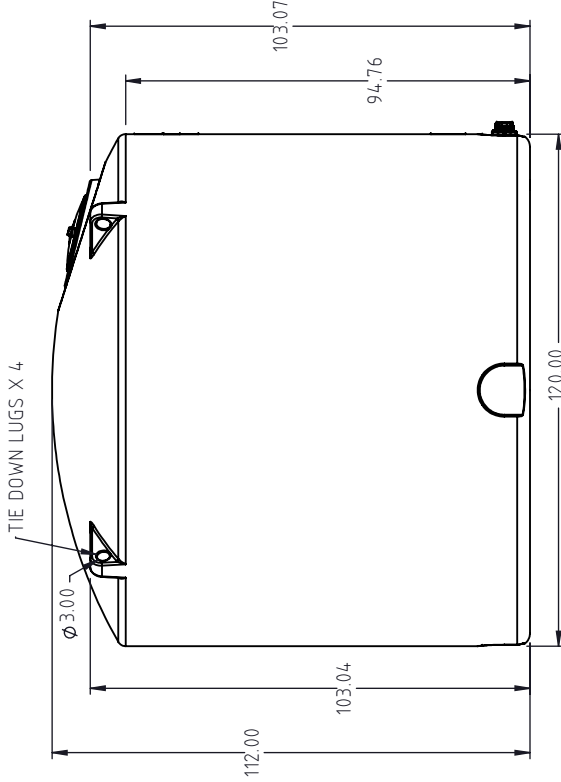
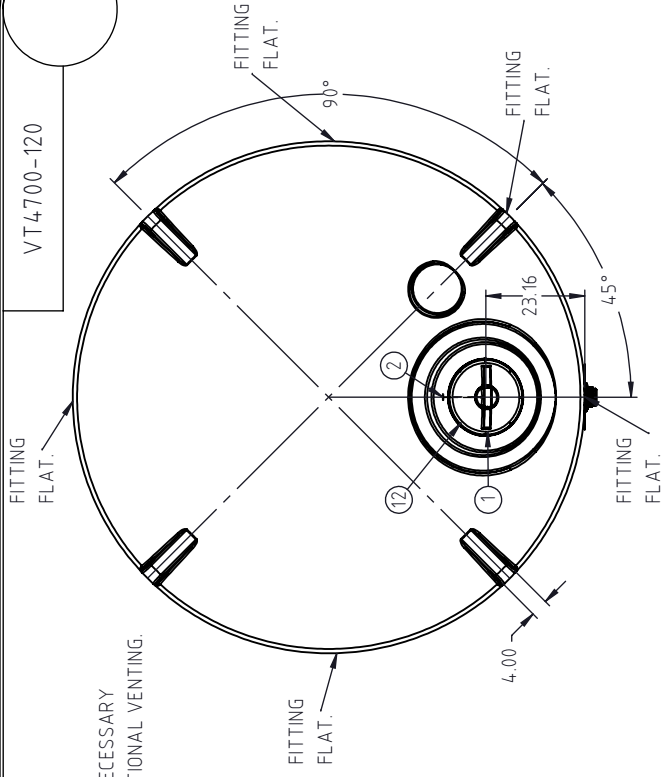
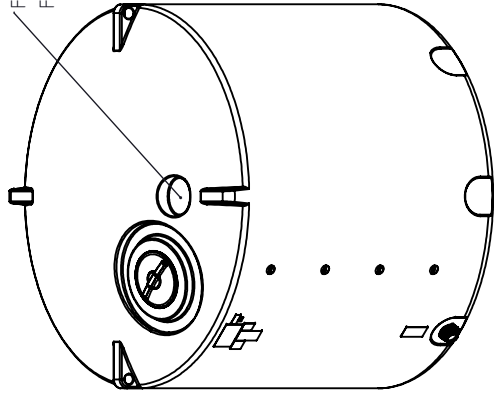
www.denhartogindustries.com
sales@denhartogindustries.com

4010 Hospers Dr. South
Hospers, IA 51238

DEN HARTOG INDUSTRIES, INC.

Copyright: All information furnished within this document, electronic file or design correspondence is the property of Den Hartog Industries, Inc. and shall not be used, disclosed to others or copied without the expressed written consent of Den Hartog Industries, Inc.

ITEM NO.	PART NUMBER	DESCRIPTION	QTY.
1	10528	LID, 16" VENTED	1
2	10534	LANYARD, LONG BLACK	1
3	13811	BULKHEAD, 3" W/3" LONG SYPH ASSY	1
4	10696	CAP PLUG, 3"	1
5	10353	LABEL, WARNING	2
6	10356	LABEL, ACE LARGE	1
7	10357	LABEL, BARCODE 4" X 2"	2
8	14935	LABEL, PROP 65	1
9	19496	NSF /ANSI/CAN 61 MARKING LABEL	1
10	19520	LABEL, SPECIFIC GRAVITY 1.7	1
11	XXXX	LABEL, INSPECTION	1
12	10284	SCREW, LID 18-8 SS	8



DRAWN / DATE: ADH 9/5/2024
 MATERIAL: HDPE
 APPRD / DATE: BES 10/10/2024

SHOT WEIGHT: 950 LBS.
 SHIPPING WEIGHT: 954 LBS.
 FINISH:

REV.	DESCRIPTION	BY	DATE	CCN
	ALL DIMENSIONS ARE IN DECIMAL INCHES TOLERANCES UNLESS OTHERWISE SPECIFIED			
	POLYETHYLENE ±1% @ 68°F			
	METAL DECIMAL ± .125" FRACTION ± 1/4" ANGLE ± 1°			
	THIRD ANGLE PROJECTION ANSI 14.5M			



Den Hartog INDUSTRIES, INC.

Ace Roto-Mold • Injection Molding • Blow Molding • Sowjoy
 4010 HOSPERS DRIVE S. BOX 425, HOSPERS, IOWA 51238-0425

DESCRIPTION: VT, 4700 GAL TANK

SCALE: N.S. PART NO: VT4700-120

SHEET: 1 OF 1