

Ace Roto-Mold

Product *Change* Notification

400 Gallon Space Saver Pickup Tank

Den Hartog Industries is excited to announce an updated design for our 400-Gallon Space Saver Pickup Tank! This new design aligns more closely with our other Space Saver models, allowing it to fit a wider range of pickup beds. The tank's properties and durability remain unchanged, providing the same reliable performance you expect from our products.



Part No.	Capacity	Description	Weight	Tank Dimensions
SSPU0400-70	400 Gallon	Space Saver Pickup Tank	202	70 x 52 x 43

FEATURES:

- Furnished with a 12" vented lid assembly as standard.
- Gallon Indicators are included in the sidewall.
- Tanks manufactured from high density Polyethylene with U.V. stabilizers.
- Standard color is white. Consult the factory for optional colors.
- Standard weight tank is designed for chemicals with a specific gravity of 1.7. Consult the Application Guideline Manual for known compatible chemicals and service temperatures.

November 2024



"Always at Your Service"



Warning: Cancer and Reproductive Harm.
www.p65Warnings.ca.gov

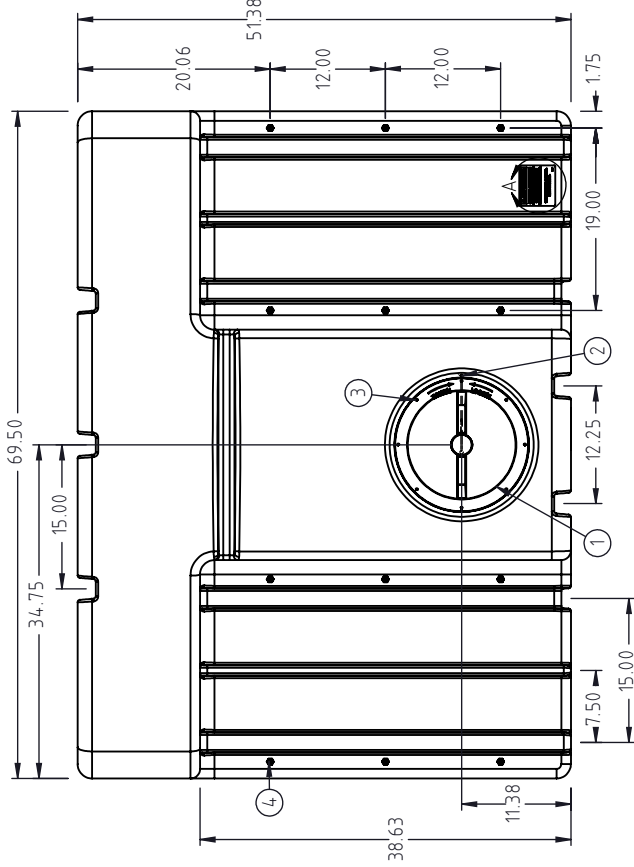
Ph: 800-342-3408
Fax: 712-752-8222

www.denhartogindustries.com
sales@denhartogindustries.com

4010 Hospers Dr. South
Hospers, IA 51238

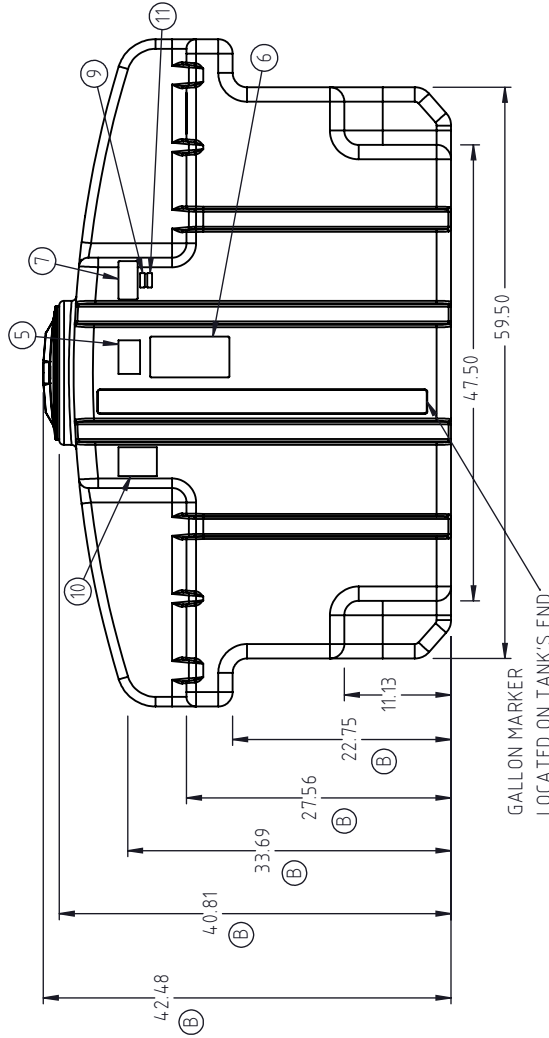
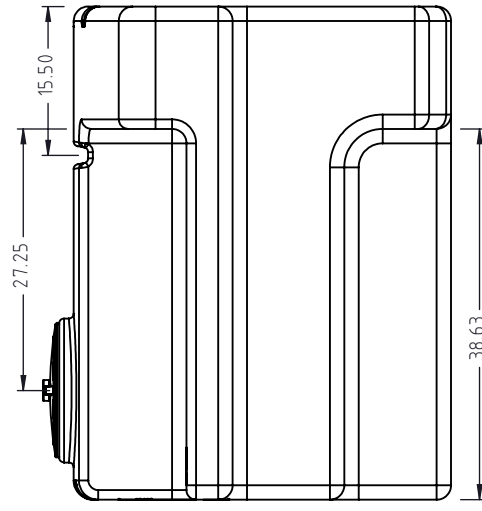
Copyright: All information furnished within this document, electronic file or design correspondence is the property of Den Hartog Industries, Inc. and shall not be used, disclosed to others or copied without the expressed written consent of Den Hartog Industries, Inc.

KEY PART NUMBER	DESCRIPTION	QTY.
1	10527 12" VENTED LID ASSEMBLY	1
2	10873 LANYARD, SHORT BLACK	1
3	10284 SCREW, LID 18-8 SS	8
4	10108 INSERT, 3/8-16 ALUMINUM BLIND	12
5	10351 LABEL, ACE SMALL	1
6	10353 LABEL, WARNING	1
7	10357 LABEL, BARCODE 4" X 2"	1
8	14723 SPACE SAVER TORQUE LABEL	1
9	14935 LABEL, PROP 65	1
10	19496 NSF/ANSI/CAN 61 MARKING LABEL	1
11	XXXX LABEL, INSPECTION	1



IMPORTANT:
 USE ALL INSERTS AVAILABLE ON EACH SIDE OF TANK TO SECURE FRAMEWORK OR MOUNTING PLATE FOR ENGINE/ PUMP AND HOSE REEL IF SO EQUIPPED.
 TORQUE ALL BOLTS TO 12-15 FT. LBS. WITH LOCK WASHERS.

DETAIL A
 SCALE 1:2



REV.	DESCRIPTION	DATE	BY	CCN
B	22.75 WAS 19.63, 27.56 WAS 26.25, 33.69 WAS 32.38, 40.81 WAS 39.50, 42.48 WAS 41.16.	9/13/2024	ADH	4644
A	14723 LABEL UPDATED	7/10/2024	BES	4614

DRAWN / DATE	ADH 8/18/2017
APPRD. / DATE	REH 8/18/2017
MATERIAL:	14575 1.7 MELT
SHOT WEIGHT:	200 LBS.
SHIPPING WEIGHT:	202 LBS.
FINISH:	



Den Hartog INDUSTRIES, INC.

Ace Roto-Mold • Injection Molding • Blow Molding • Sowjoy
 4010 HOSPERS DRIVE S. BOX 425, HOSPERS, IOWA 51238-0425

DESCRIPTION 400 GALLON SPACE SAVER TANK

SCALE N.S. PART NO. SSPU0400-70

SHEET 1 OF 1

ALL DIMENSIONS ARE IN DECIMAL INCHES
 TOLERANCES UNLESS OTHERWISE SPECIFIED
 POLYETHYLENE
 ±1% @ 68°F
 METAL
 DECIMAL ± .125"
 FRACTION ± 1/4"
 ANGLE ± 1°

