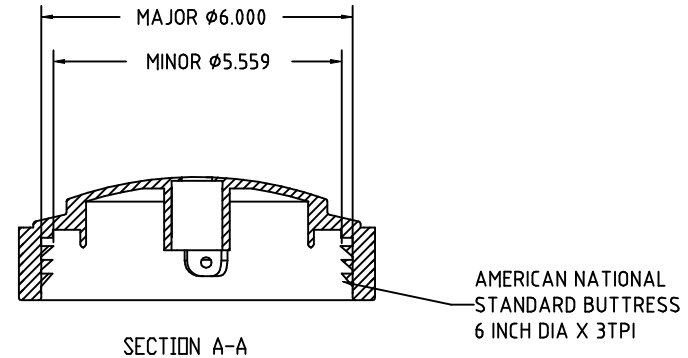
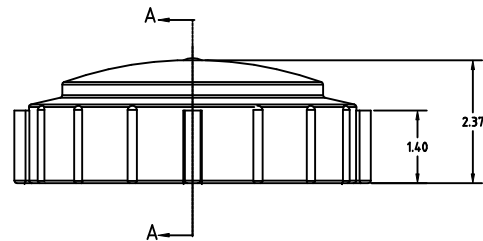
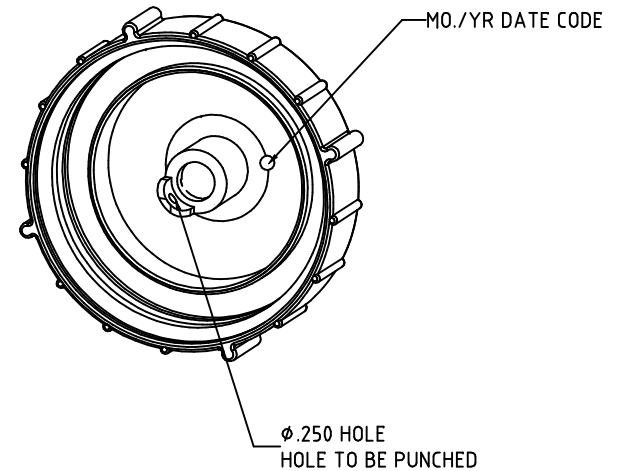
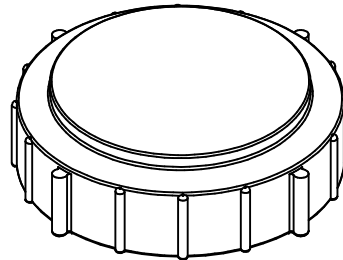
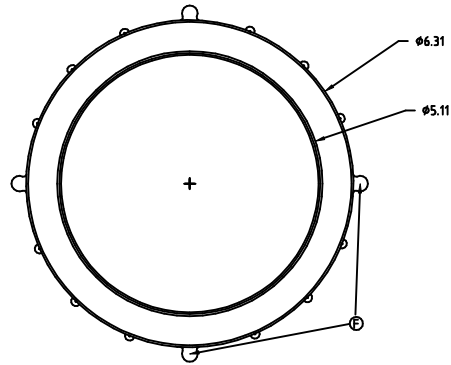


PROPRIETARY DATA

PROPERTY OF ACE ROTO-MOLD MFG., INC. INFORMATION FURNISHED HEREIN IS THE PROPERTY OF ACE ROTO-MOLD MFG., INC. AND SHALL NOT BE USED, DISCLOSED TO OTHERS, OR COPIED WITHOUT THE EXPRESSED WRITTEN CONSENT OF ACE ROTO-MOLD MFG., INC. ALL RIGHTS RESERVED.

10523

F



F	HOLES REMOVED	CCN 1645	4/22/08	ADH
E	CHANGE TO PUNCHED HOLE	CCN 1343	6/4/07	GWC
D	UPDATE LOGO	CCN 1296	4/20/07	GWC
C	TOLERANCE WAS 1% @ 68° F		4/5/07	GWC
B	ADD "UPON ASSEMBLY"		1/30/07	GWC
A	CHANGED NAME FROM 6" TO 5" LID		10/12/05	NVE
REV	DESCRIPTION		DATE	APPRD

DRAWN / DATE	MATERIAL
NVE 6/6/05	INOVINE L12Z-01 OR EQUIVALENT
APPRD. / DATE	
DHJ 9/21/05	

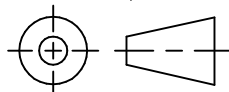
INJECTION MOLDING
 A DIVISION OF DEN HARTOG INDUSTRIES, INC.
 4010 HOSPERS DRIVE S., BOX 425, HOSPERS, IOWA 51238-0425

CLIENT / DESCRIPTION: 5 INCH NONVENTED LID

ALL DIMENSIONS ARE IN DECIMAL INCHES
 TOLERANCES UNLESS OTHERWISE SPECIFIED

XXX +/- .016
 XX +/- .032
 X +/- .062

THIRD ANGLE PROJECTION
 ANSI 14.5M



NOTES:
 1. BLACK COLOR
 2. SHOT WEIGHT 1.05 LBS.

SCALE: N.S.

PART NO.: 10523