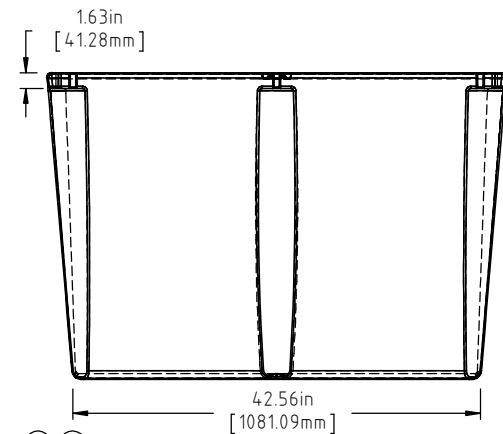
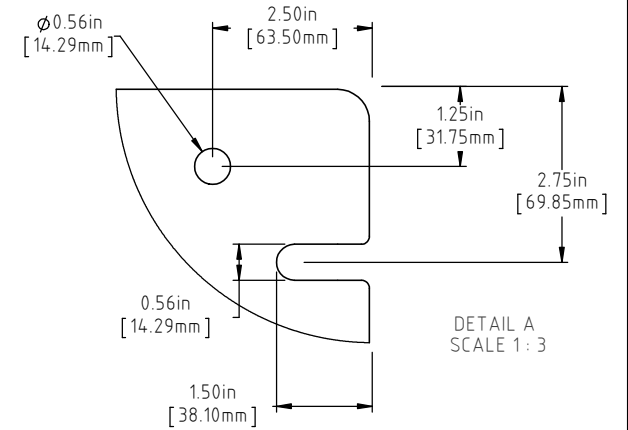
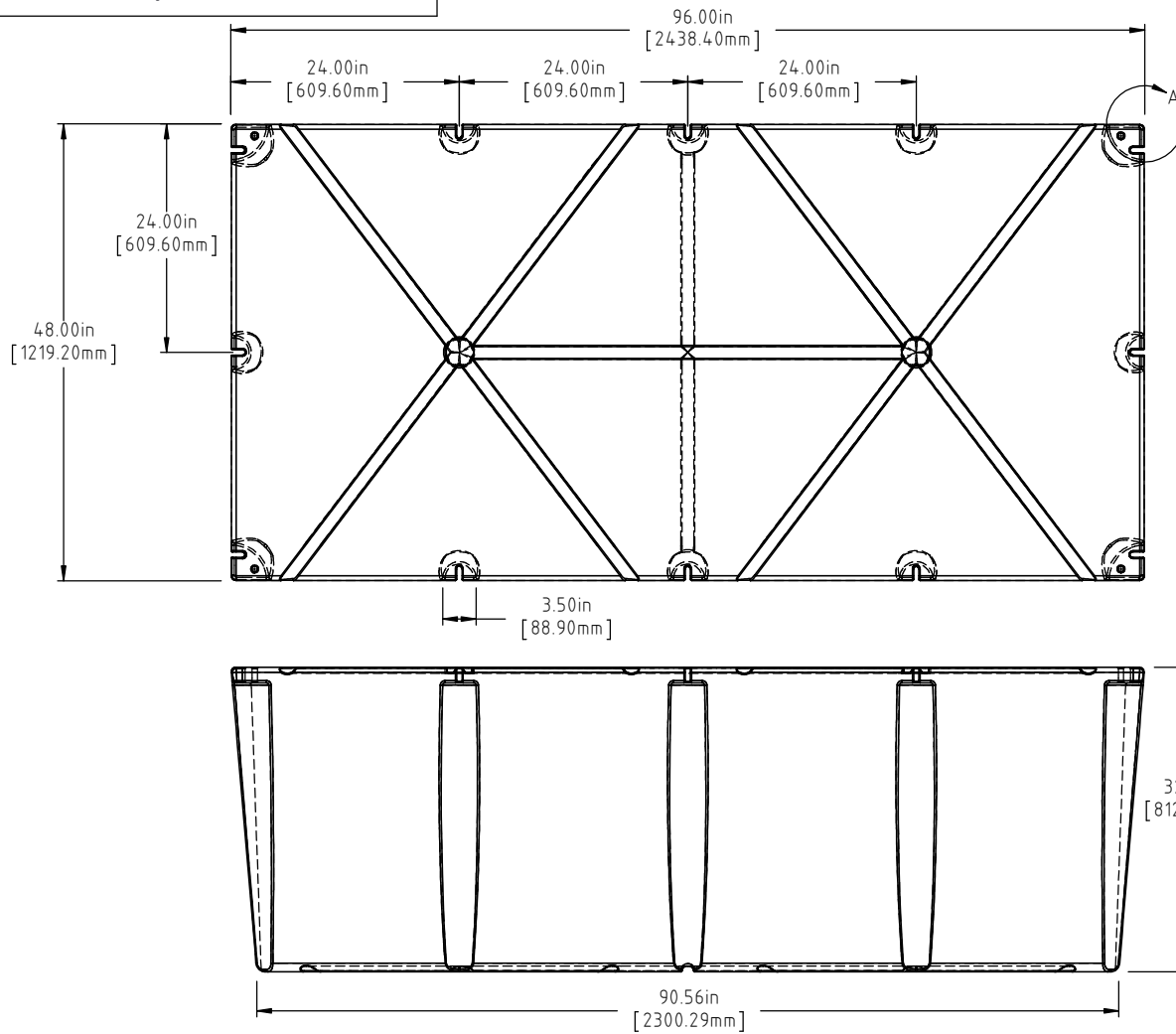



Copyright. All information furnished within this document, electronic file or design correspondence is the property of Den Hartog industries, Inc. and shall not be used, disclosed to others or copied without the expressed written consent of Den Hartog Industries, Inc.



NOTE: BUOYANCY 4631.00 LBS.(2100.59 KG.)

C	193 LBS WAS 188 LBS, 4631 LBS WAS 4585 LBS	ADH 6/28/12	2420	DRAWN / DATE	MATERIAL POLYETHYLENE
B	CORNER DETAIL ADDED	ADH 8/28/08	1710	DHJ 8/29/03	
A	ADD BUOYANCY NOTE	GWC 1/11/07		APPRD. / DATE	
REV	DESCRIPTION	BY / DATE	CCN	ADH 11/6/07	
ALL DIMENSIONS ARE IN DECIMAL INCHES TOLERANCES UNLESS OTHERWISE SPECIFIED		THIRD ANGLE PROJECTION ANSI 14.5M		SHOT WEIGHT: 110 LBS.(49.90 KG.)	NOTES: (C) 1.) AF 110 LBS.(49.90 KG.) 2.) FF 193 LBS.(87.54 KG.) 3.) 0.150in(3.81mm) NOM. WALL
POLYETHYLENE		MATERIAL		SHIPPING WEIGHT: SEE NOTES	
±1% @ 68°F		FINISH:			



Den Hartog
INDUSTRIES, INC.

Acce Roto-Mold Injection Molding Blow Molding Sowjoy

4010 HOSPERS DRIVE S. BOX 425, HOSPERS, IOWA 51238-0425

DESCRIPTION 48 X 96 X 32 FLOAT	
SCALE N.S.	PART NO. 4896-32