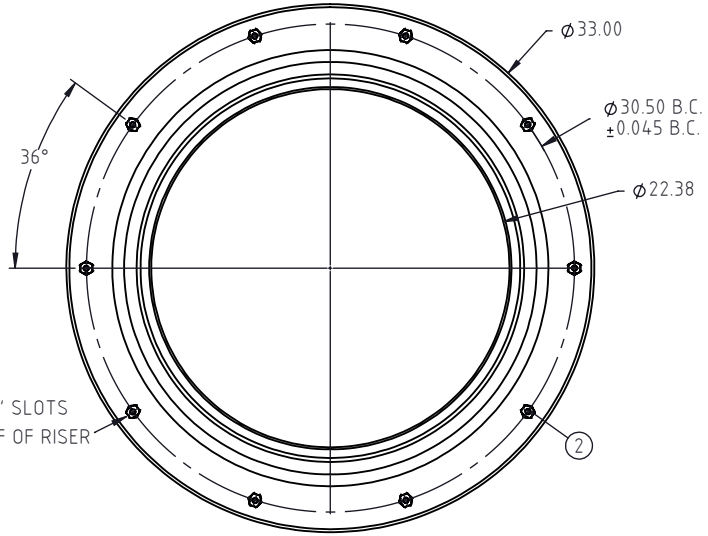


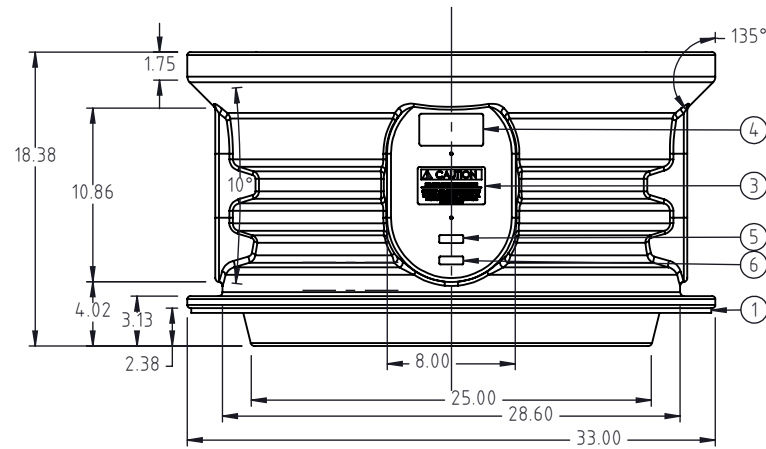
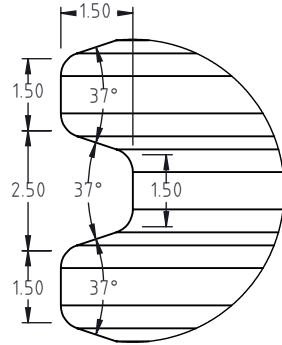
Copyright. All information furnished within this document, electronic file or design correspondence is the property of Den Hartog industries, Inc. and shall not be used, disclosed to others or copied without the expressed written consent of Den Hartog Industries, Inc.


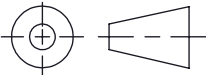
KEY	PART NUMBER	DESCRIPTION	QTY.
1	19464	GASKET, 28"	1
2	19466	INSERT, 3/8 X 7/16 MACHINED ALUMINUM TRIPLE HEX MACHINED	10
3	19463	LABEL, CAUTION	1
4	10357	LABEL, BARCODE 4" X 2"	1
5	14935	LABEL, PROP 65	1
6	XXXX	LABEL, INSPECTION	1



1.00" X 0.30" SLOTS
LOWER HALF OF RISER
X 10

RIB DETAIL



DRAWN / DATE ADH 8/27/2024		MATERIAL: POLYETHYLENE		 <p>Den Hartog INDUSTRIES, INC. Ace Roto-Mold • Injection Molding • Blow Molding • Sowjoy 4010 HOSPERS DRIVE S. BOX 425, HOSPERS, IOWA 51238-0425</p>
APPROD. / DATE BES 11/20/2024		NOTES:		
REV.	DESCRIPTION	BY	DATE	CCN
ALL DIMENSIONS ARE IN DECIMAL INCHES TOLERANCES UNLESS OTHERWISE SPECIFIED		THIRD ANGLE PROJECTION ANSI 14.5M		SHOT WEIGHT: 30 LB.
POLYETHYLENE		METAL		SHIPPING WEIGHT: 25 LB.
±1% @ 68°F		DECIMAL ± .125" FRACTION ± 1/4" ANGLE ± 1°		FINISH:
				NOMINAL WALL THICKNESS: 0.20
DESCRIPTION EXTENSION, 16" WHITE		SCALE N.S.		PART NO. AST15444
		SHEET 1 OF 1		