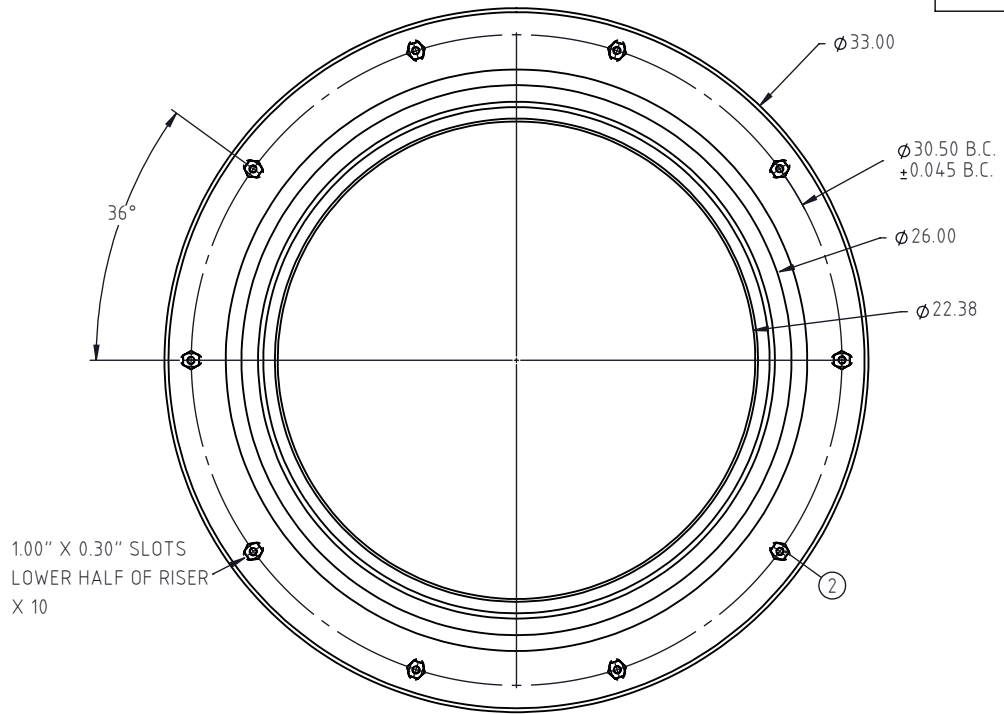
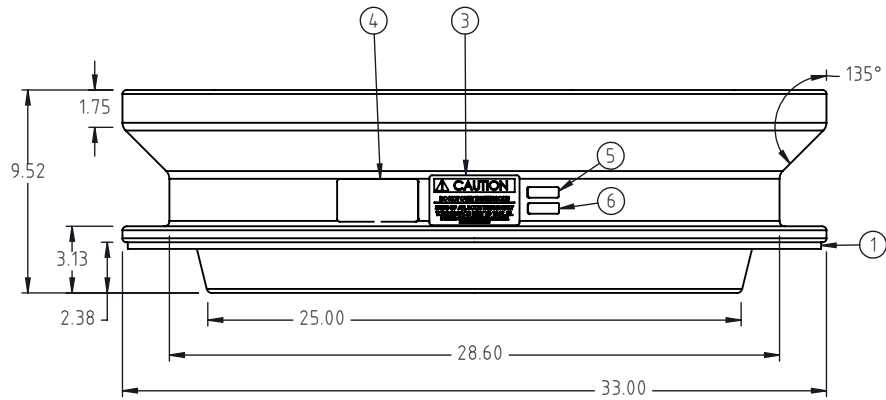


Copyright. All information furnished within this document, electronic file or design correspondence is the property of Den Hartog industries, Inc. and shall not be used, disclosed to others or copied without the expressed written consent of Den Hartog Industries, Inc.

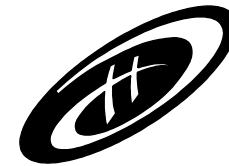
KEY	PART NUMBER	DESCRIPTION	QTY.
1	19464	GASKET, 28"	1
2	19466	INSERT, 3/8 X 7/16 MACHINED ALUMINUM TRIPLE HEX MACHINED	10
3	19463	LABEL, CAUTION	1
4	10357	LABEL, BARCODE 4" X 2"	1
5	14935	LABEL, PROP 65	1
6	XXXX	LABEL, INSPECTION	1



1.00" X 0.30" SLOTS  
LOWER HALF OF RISER  
X 10



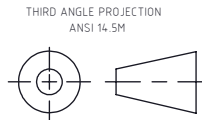
DRAWN / DATE ADH 8/27/2024	MATERIAL : POLYETHYLENE
APPROD. / DATE BES 11/20/2024	
SHOT WEIGHT: 23 LB.	NOTES:  NOMINAL WALL THICKNESS: 0.20
SHIPPING WEIGHT: 18 LB.	
FINISH:	



**Den Hartog  
INDUSTRIES, INC.**

Ace Roto-Mold • Injection Molding • Blow Molding • Sowjoy  
4010 HOSPERS DRIVE S. BOX 425, HOSPERS, IOWA 51238-0425

REV.	DESCRIPTION	BY	DATE	CCN
	ALL DIMENSIONS ARE IN DECIMAL INCHES TOLERANCES UNLESS OTHERWISE SPECIFIED			
	POLYETHYLENE			
	METAL DECIMAL ± .125" FRACTION ± 1/4" ANGLE ± 1°			



DESCRIPTION EXTENSION, 7" WHITE	PART NO. AST15450	SHEET 1 OF 1
SCALE N.S.		