

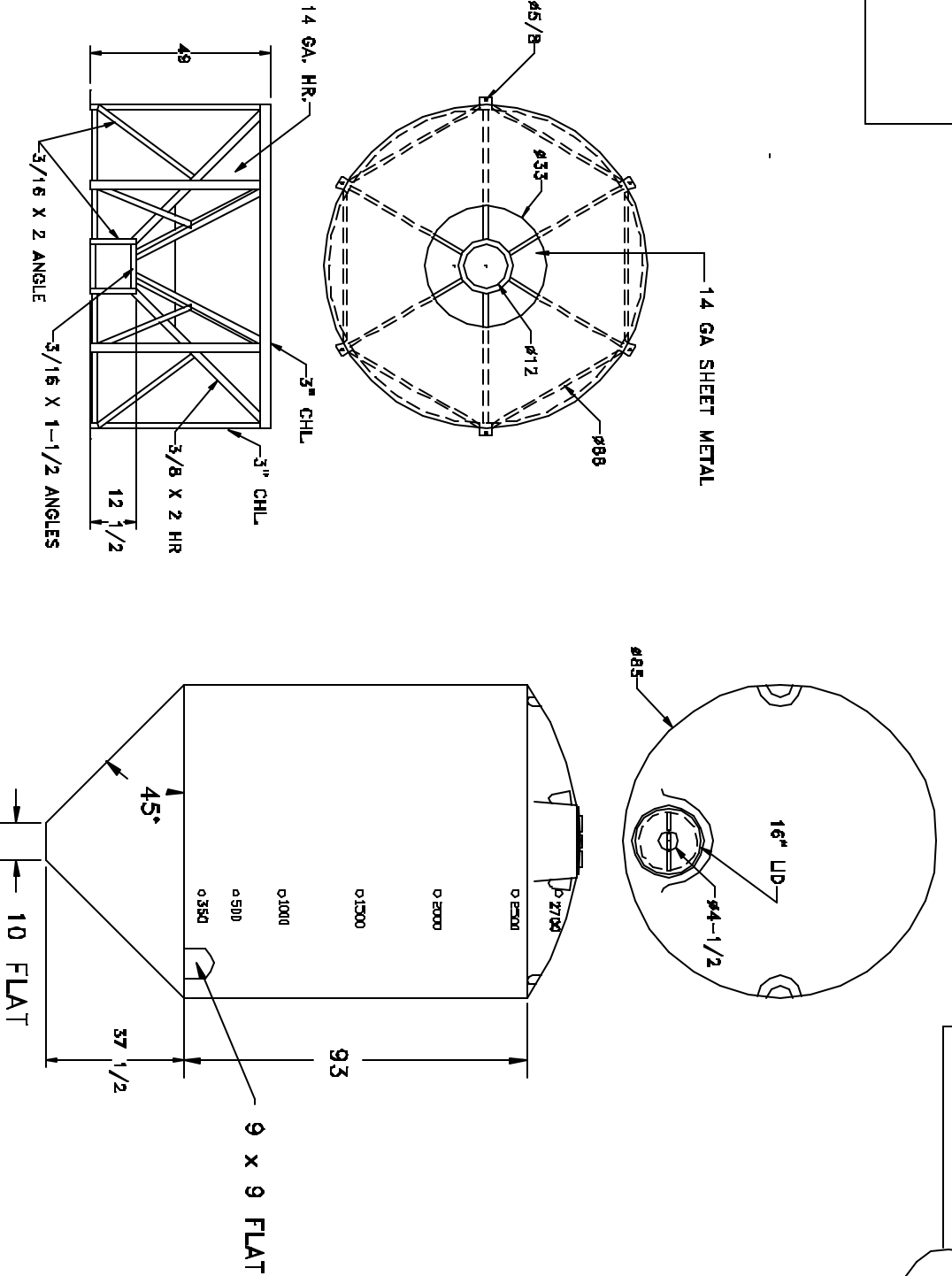
PROPRIETARY DATA

PROPERTY OF ACE ROTO-MOLD MFG. INC. INFORMATION FURNISHED HEREIN IS THE PROPERTY OF ACE ROTO-MOLD MFG. INC. AND SHALL NOT BE USED, DISCLOSED TO OTHERS, OR REPRODUCED WITHOUT THE EXPRESSED WRITTEN CONSENT OF ACE ROTO-MOLD MFG. INC. ALL RIGHTS RESERVED.

CB2600-85

1. SPECIFIC GRAVITY IS 1.75
2. 1 PIECE ROTATIONALLY MOLDED
3. TRANSLUCENT
4. FDA APPROVED RESIN
5. CALIBRATED IN GALLONS
6. THREE YEAR WARRANTY
7. UV STABILIZED
8. MIXER OR PUMP MOUNT
- ON REQUEST

STAND PART NO. CB085-45ST



REV	DESCRIPTION	DATE	APPRD	DRAWN / DATE	MATERIAL
				DHJ 12/9/93	HDPB OR EQUIVALENT REPRODUCE MATERIAL DATA SHEET FOR SPECIFIC PROPERTIES.
				APPRD. / DATE	
				XXXXXX	



Age Roto-Mold

 A DIVISION OF BEN HANTON INDUSTRIES, INC.

 4018 HWY. 61 BLVD., BOX 471, HOSPERS, INDIANA 51238

ALL DIMENSIONS ARE IN DECIMAL INCHES
 TOLERANCES UNLESS OTHERWISE SPECIFIED
 $\pm 1\% @ 68^{\circ} F$

CLIENT / DESCRIPTION: 2600 GALLON $\phi 85"$ 45° CONE BOTTOM TANK AND STAND
 SCALE: N.S.
 PART NO.: CB2600-85