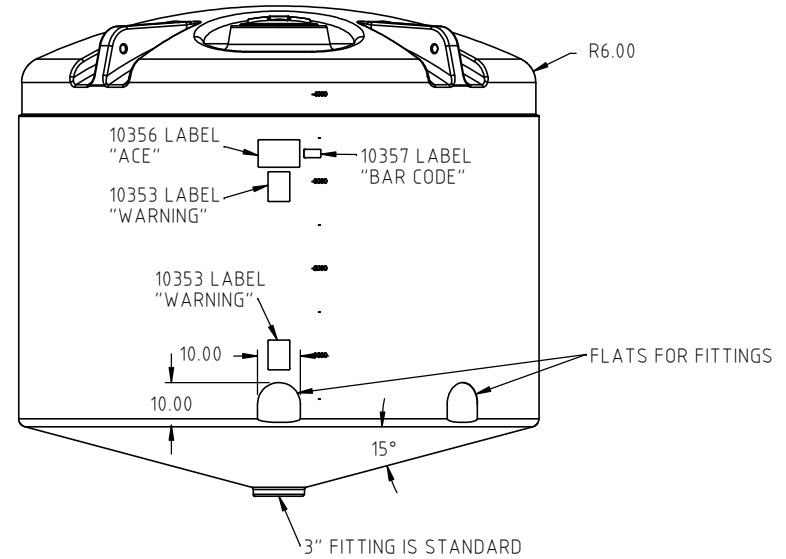
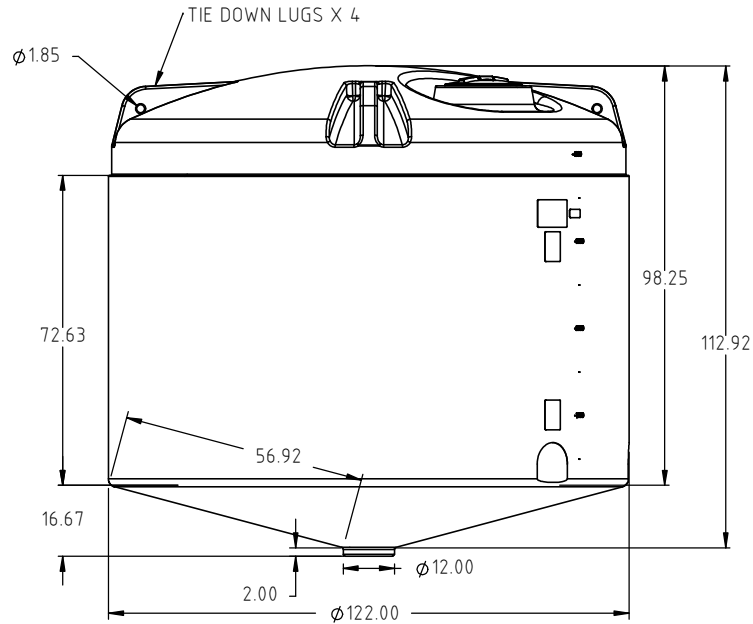
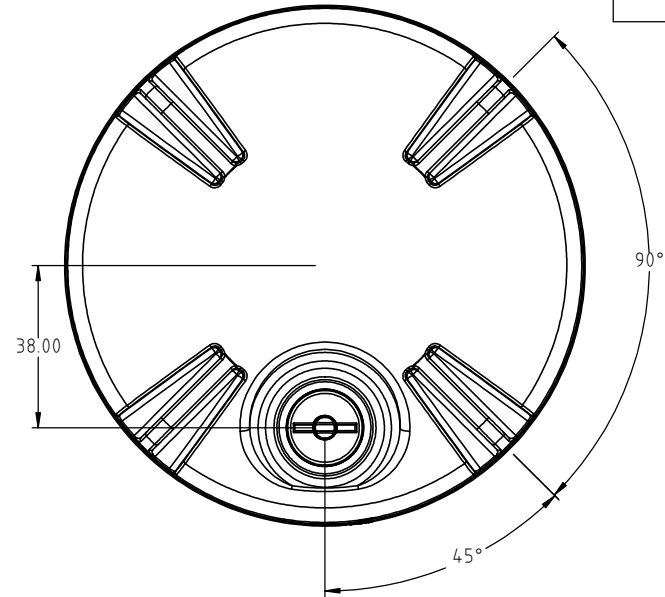



Copyright. All information furnished within this document, electronic file or design correspondence is the property of Den Hartog industries, Inc. and shall not be used, disclosed to others or copied without the expressed written consent of Den Hartog Industries, Inc.



				DRAWN / DATE DHJ 1/26/12	MATERIAL 10538
				APPROD. / DATE REH 2/11/14	
REV	DESCRIPTION	BY / DATE	CCN	SHOT WEIGHT: 1100 LBS	NOTES: 1.) 0.52" NOM. WALL
				SHIPPING WEIGHT: 1102 LBS.	
				FINISH:	



Den Hartog
INDUSTRIES, INC.

Acro Roto-Mold Injection Molding Blow Molding Sowjoy

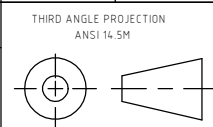
4010 HOSPERS DRIVE S. BOX 425, HOSPERS, IOWA 51238-0425

DESCRIPTION	4200 GALLON 122" X 15 DEG. CONE BOTTOM TANK	
SCALE	N.S.	PART NO. CB4200-122

ALL DIMENSIONS ARE IN DECIMAL INCHES
TOLERANCES UNLESS OTHERWISE SPECIFIED

POLYETHYLENE

±1% @ 68°F



SHIPPING WEIGHT:
1102 LBS.

FINISH: