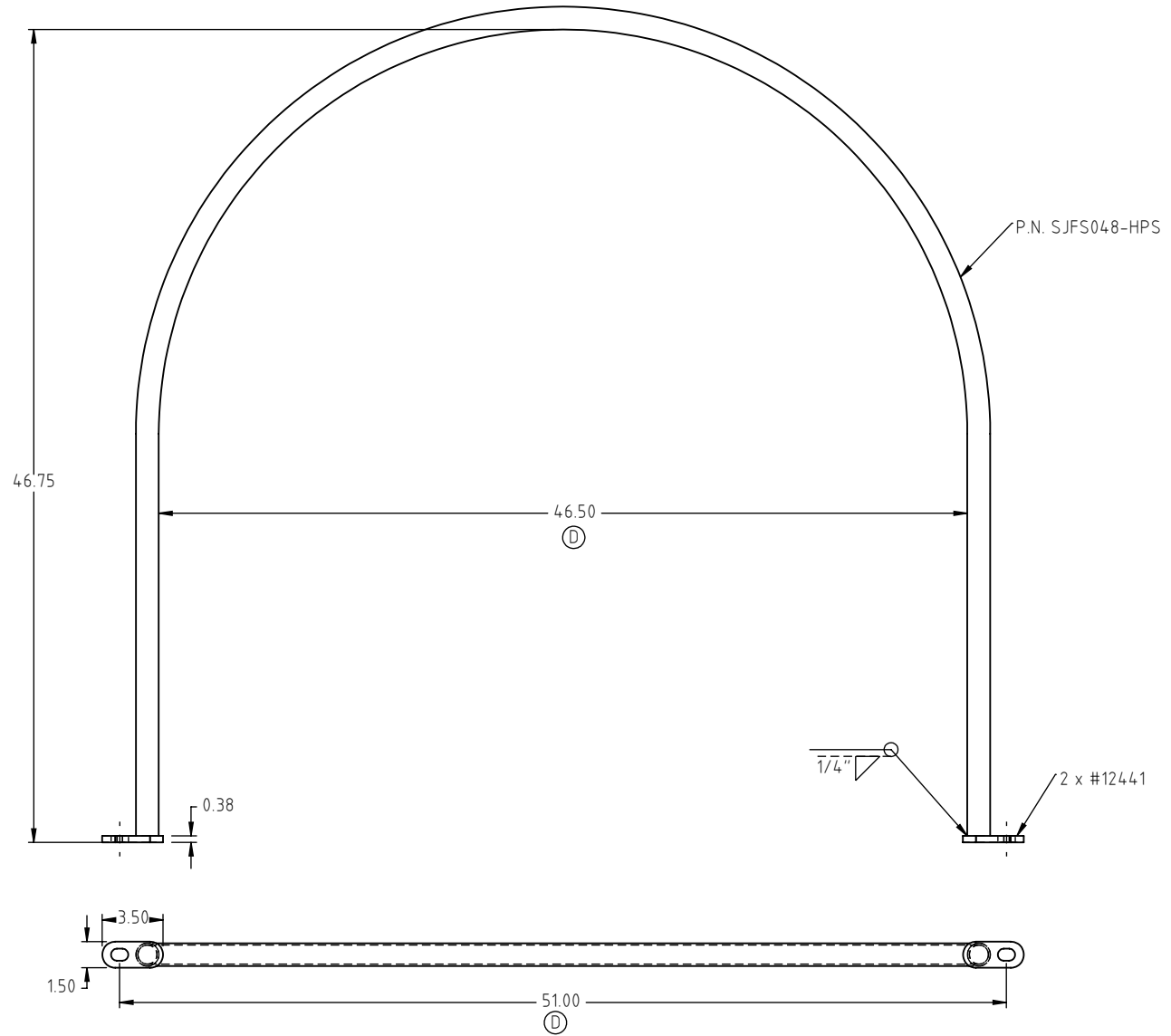


Copyright. All information furnished within this document, electronic file or design correspondence is the property of Den Hartog industries, Inc. and shall not be used, disclosed to others or copied without the expressed written consent of Den Hartog Industries, Inc.

FS048-HP | 3 PER KIT



E	CHANGED MATERIAL, UPDATED SHEET FORMAT	SRA	2/7/2024	4559	DRAWN / DATE	MATERIAL :
D	46.50" WAS 46.00", 51.00" WAS 49.50"	ADH	2/24/2015	3020	DHJ 1/29/2003	Ⓔ T1312X1090
C	ADD TEXT BOX	GW	3/30/2007		APPRD. / DATE	
REV.	DESCRIPTION	BY	DATE	CCN	ADH 11/9/2007	
ALL DIMENSIONS ARE IN DECIMAL INCHES TOLERANCES UNLESS OTHERWISE SPECIFIED		THIRD ANGLE PROJECTION ANSI 14.5M		SHOT WEIGHT:		NOTES: BLANK LENGTH AT 120"
POLYETHYLENE		METAL		SHIPPING WEIGHT: 16.70 LBS		
±1% @ 68°F		DECIMAL ± .125" FRACTION ± 1/4" ANGLE ± 1°		FINISH: Powder Coat		



**Den Hartog  
INDUSTRIES, INC.**

Ace Roto-Mold • Injection Molding • Blow Molding • Sowjoy  
4010 HOSPERS DRIVE S. BOX 425, HOSPERS, IOWA 51238-0425

DESCRIPTION		HOOP FOR 735 GALLON LEG TANK	
SCALE	N.S.	PART NO.	FS048-HPS
SHEET		1 OF 1	