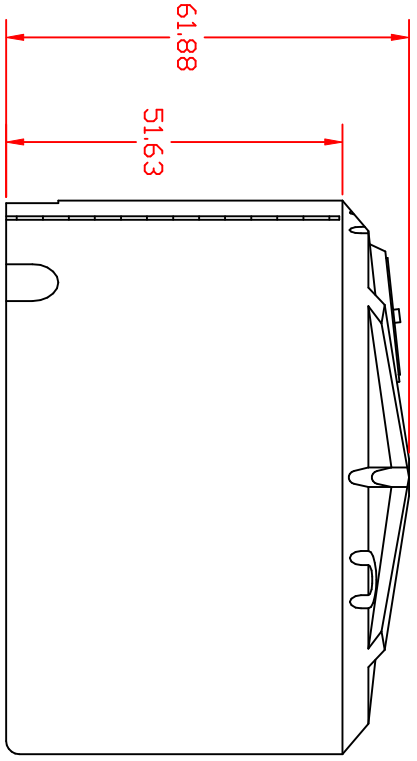
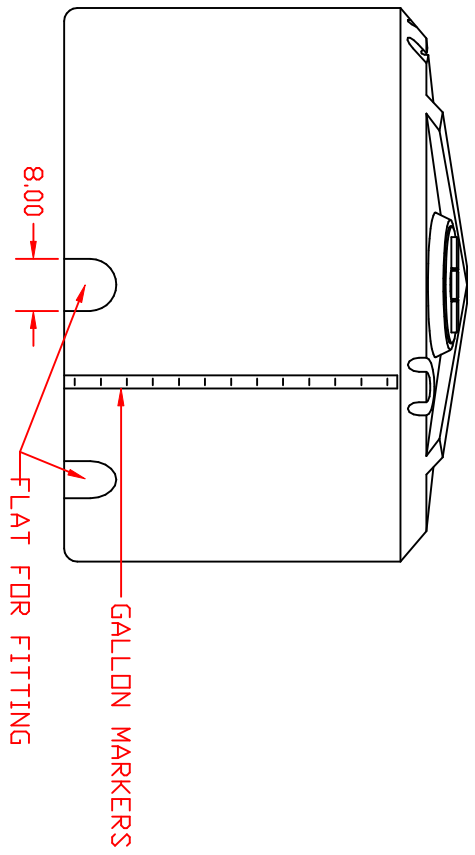
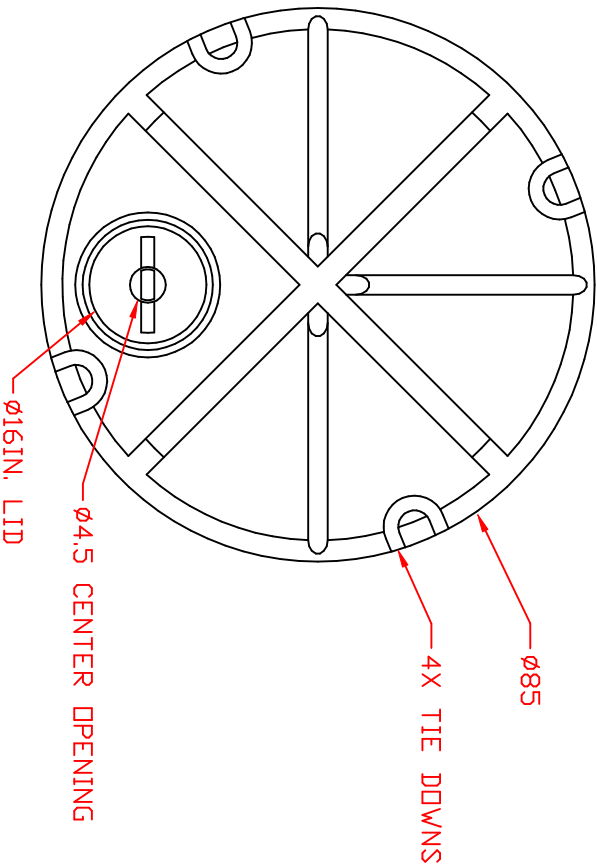



GV01350-85



DRAWN / DATE DHJ/1/22/03		MATERIAL / SHOT WEIGHT 207 LBS.		 Ace Roto-Mold A DIVISION OF DEN HARTOG INDUSTRIES, INC.	
APPRD. / DATE		NOTES: 1.5 SPECIFIC GRAVITY .245 NDM. WALL			
REV	DESCRIPTION	DATE APPRD.	THIRD ANGLE PROJECTION ANSI 14.5M	SCALE NONE	PART NO. GV01350-85
ALL DIMENSIONS ARE IN DECIMAL INCHES TOLERANCES UNLESS OTHERWISE SPECIFIED $\pm 1\%$ @ 68° F					