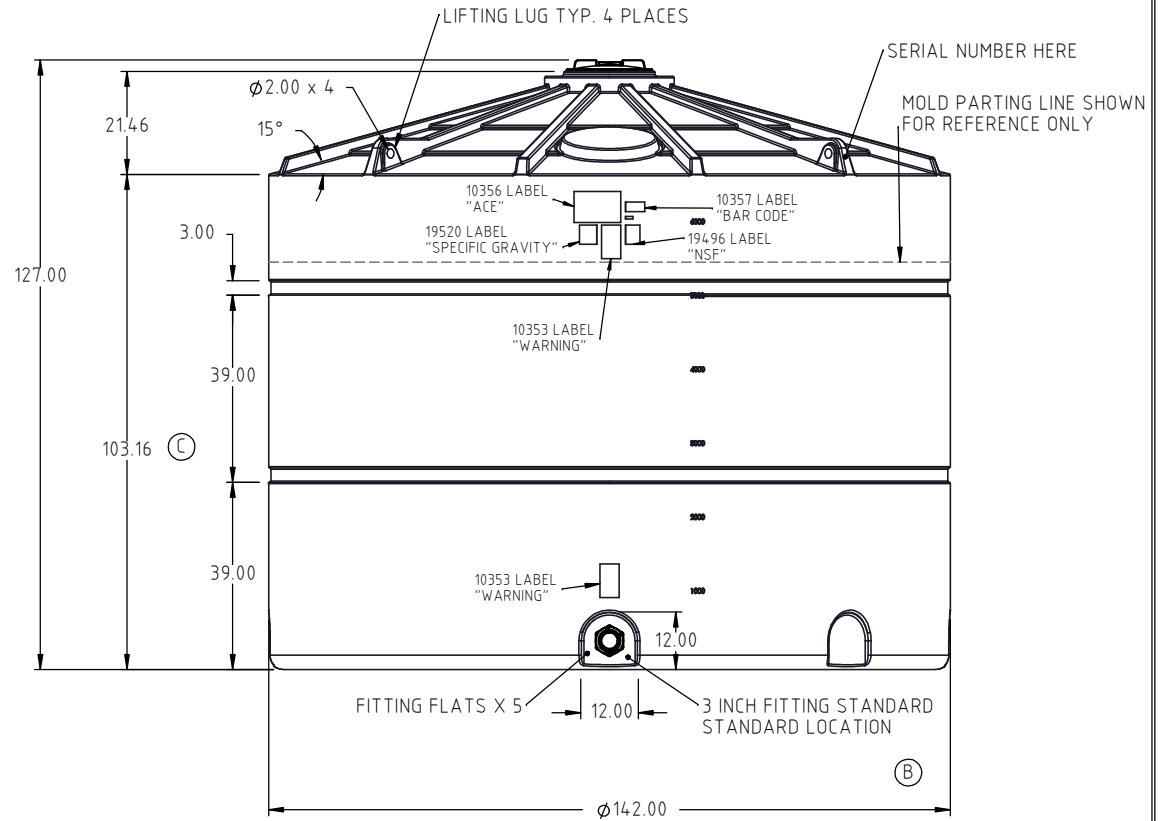
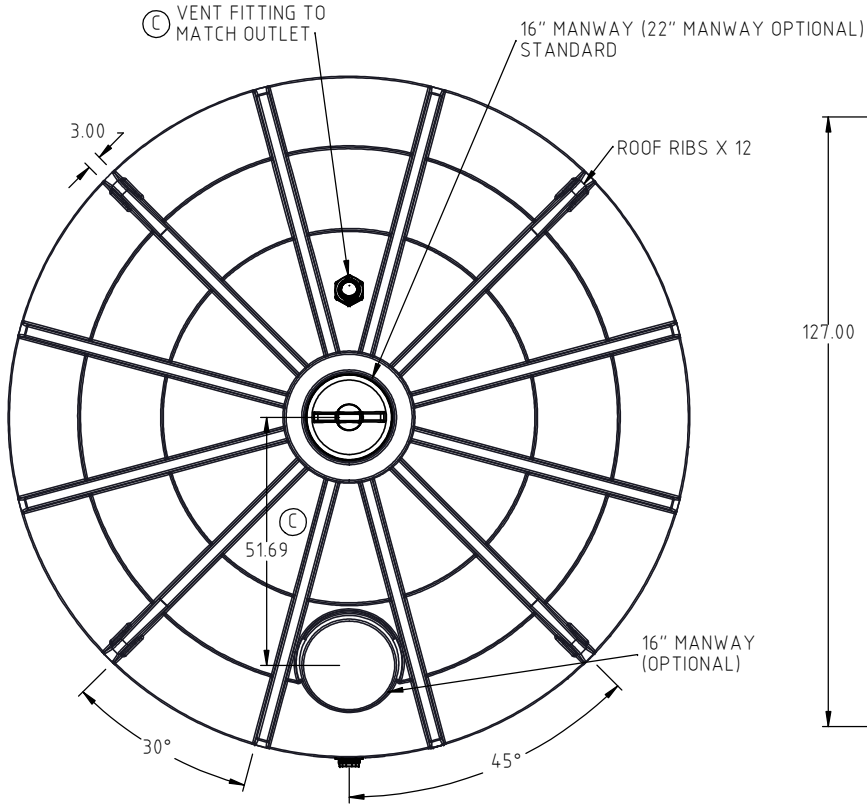


Copyright. All information furnished within this document, electronic file or design correspondence is the property of Den Hartog Industries, Inc. and shall not be used, disclosed to others or copied without the expressed written consent of Den Hartog Industries, Inc.



C	GV07000-142 WAS VT7000-142, DESCRIPTION, DIMENSIONS, LID CLOCKING UPDATED/CORRECTED	ADH 7/23/13	2654	DRAWN / DATE REH 7/27/98	MATERIAL 10538 2 MELT
B	CHANGED STANDARD FITTING FROM 2" TO 3"	DHJ 3/31/10	2013	APPRD. / DATE DHJ 7/27/98	
A	ADD VENT FITTING	DHJ 3/4/04			
REV	DESCRIPTION	BY / DATE	CCN		
ALL DIMENSIONS ARE IN DECIMAL INCHES TOLERANCES UNLESS OTHERWISE SPECIFIED		THIRD ANGLE PROJECTION ANSI 14.5M		SHOT WEIGHT: 1750.00 LBS.	NOTES: 1) WHITE, BLACK, OR YELLOW COLOR 2) 0.77 WALL @ FLAT
POLYETHYLENE		METAL DECIMAL ± .125" FRACTION ± 1/4" ANGLE ± 1°		SHIPPING WEIGHT: 1752.00 LBS.	
±1% @ 68°F				FINISH:	

## Den Hartog

INDUSTRIES, INC.

Ace Roto-Mold Injection Molding Blow Molding Sowjoy

4010 HOSPERS DRIVE S. BOX 425, HOSPERS, IOWA 51238-0425

DESCRIPTION 7000 GALLON GUSSET TOP TANK	
SCALE N.S.	PART NO. GV07000-142