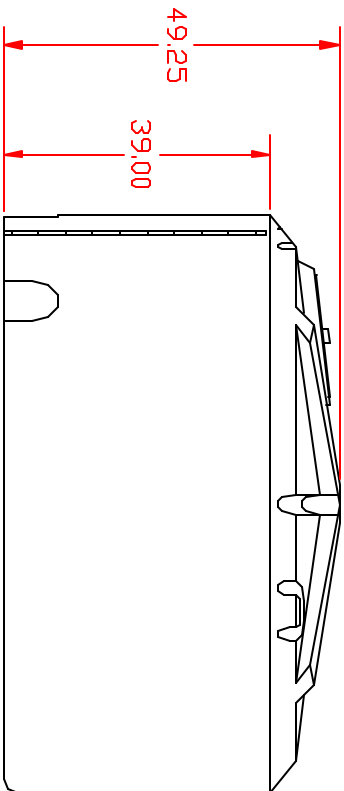
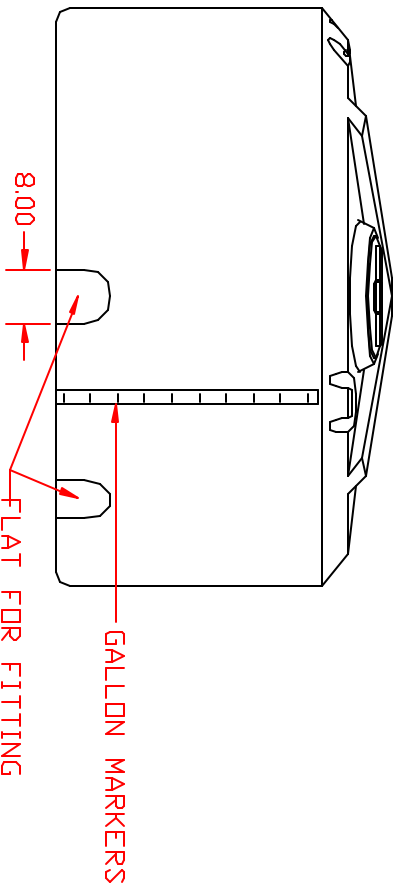
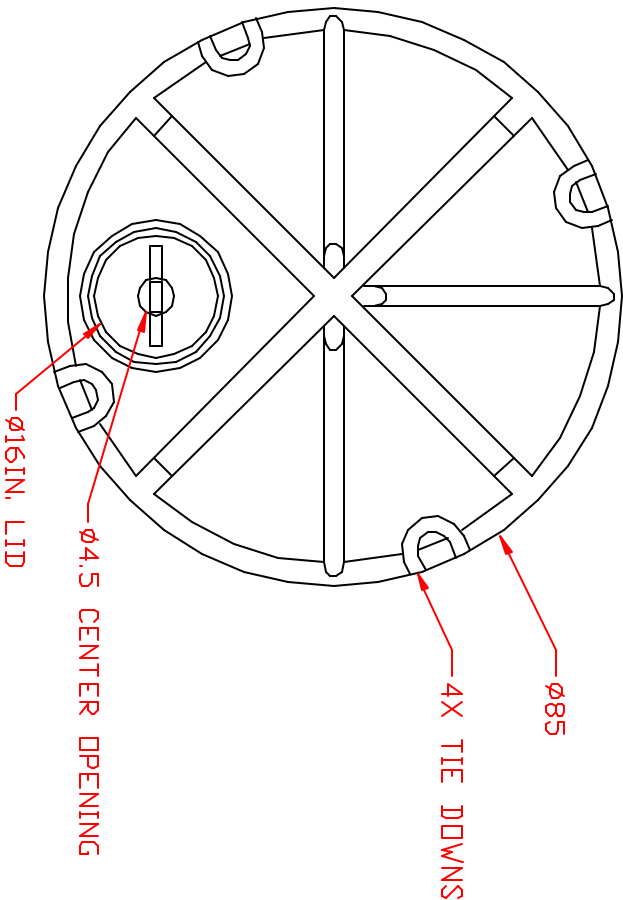



PROPRIETARY DATA

PROPERTY OF ACE ROTO-MOLD MFG. INC. INFORMATION FURNISHED HEREIN IS THE PROPERTY OF ACE ROTO-MOLD MFG. INC. AND SHALL NOT BE USED, REPRODUCED TO OTHERS, OR COPIED WITHOUT THE EXPRESSED WRITTEN CONSENT OF ACE ROTO-MOLD MFG. INC. ALL RIGHTS RESERVED.

GV01150-85



REV	DESCRIPTION	DATE	APPROD	DRAWN / DATE	MATERIAL
				DHJ 1/23/13	HOPK OR EQUIVALENT REFER TO MATERIAL DATA SHEET FOR SPECIFIC PROPERTIES.
				APPROD. / DATE	


ACE ROTO-MOLD
 A DIVISION OF DEW HARTIG INDUSTRIES, INC.
 4118 HWY. 60 BLVD., BOX 421, HOSPERS, INDIANA 51238

CLIENT / DESCRIPTION: 1050 GALLON GUSSET TOP TANK
 SCALE: N.S.
 PART NO.: GV01050-85

ALL DIMENSIONS ARE IN DECIMAL INCHES
 TOLERANCES UNLESS OTHERWISE SPECIFIED
 + $\frac{1}{4}$ @ 68° F

