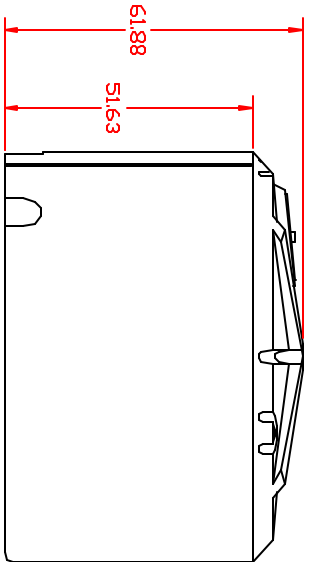
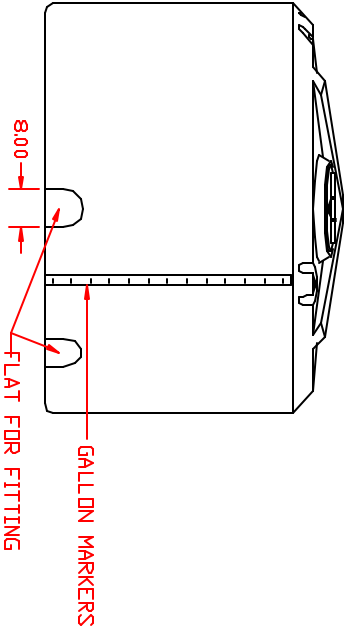
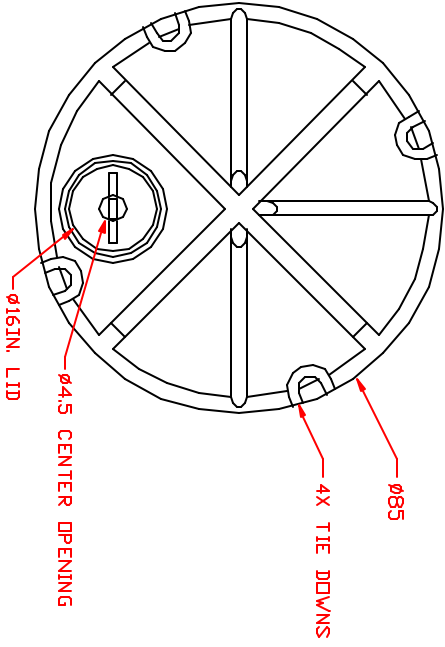


PROPRIETARY DATA

PROPERTY OF ACE ROTO-MOLD MFG., INC. INFORMATION FURNISHED HEREIN IS THE PROPERTY OF ACE ROTO-MOLD MFG., INC. AND SHALL NOT BE DISSEMINATED TO OTHERS, OR COPIED WITHOUT THE PERMISSION WRITTEN CONSENT OF ACE ROTO-MOLD MFG., INC. ALL RIGHTS RESERVED.

GV11351-85



DRAWN / DATE DHI 1/22/13		MATERIAL		CLIENT / DESCRIPTION	
APPROD / DATE		NOTE: SEE EQUIVALENT REFERENCE MATERIAL DATA SHEET FOR SPECIFIC PROPERTIES.		1035 GALL GUSSET TANK	
REV	DESCRIPTION	DATE APPROD	NOTES	SCALE	PART NO.
			1. 1.15 SPECIFIC GRAVITY 2. SHOT WEIGHT 187 LBS. 3. 26.5 INM. WALL	N.S.	GV01350-85
ALL DIMENSIONS ARE IN DECIMAL INCHES TOLERANCES UNLESS OTHERWISE SPECIFIED ± .005 @ .687" F			<p>ACE ROTO-MOLD 4118 HWY. 618 W.D. BOX 421 HOSPERS, MOVA 51238</p>		