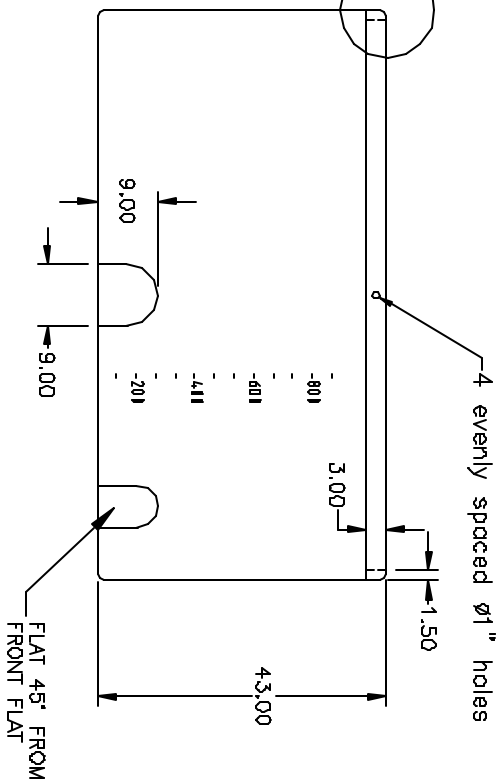
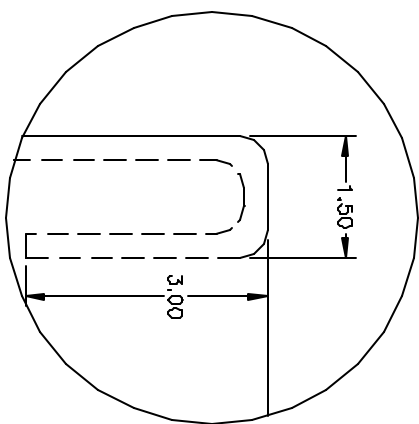
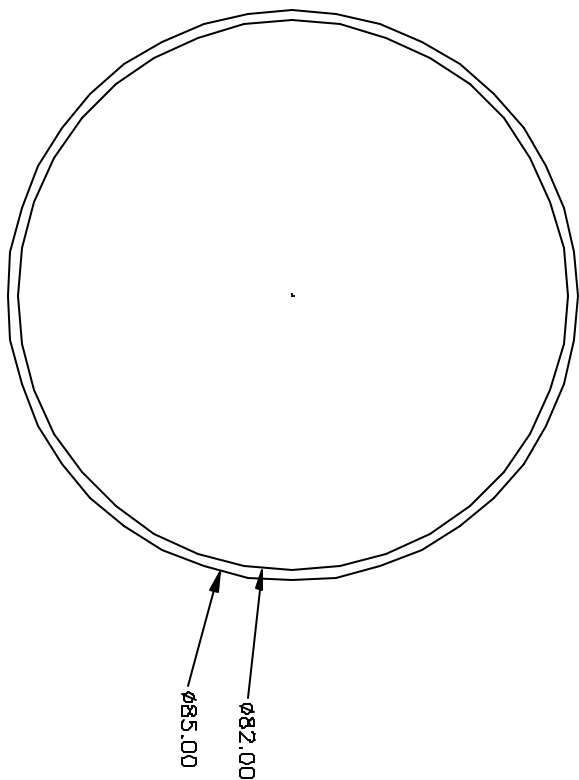


PROPRIETARY DATA

PROPERTY OF ACE ROTO-MOLD MFG. INC. INFORMATION FURNISHED HEREIN IS THE PROPERTY OF ACE ROTO-MOLD MFG. INC. AND SHALL NOT BE USED, DISCLOSED TO OTHERS, OR COPIED WITHOUT THE EXPRESSED WRITTEN CONSENT OF ACE ROTO-MOLD MFG. INC. ALL RIGHTS RESERVED.

OP11900-85

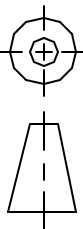


REV	DESCRIPTION	DATE	APPRD

DRAWN / DATE
NVE 6/13/15

APPRD. / DATE
DHJ 6/22/15

THIRD ANGLE PROJECTION
AMPT NASH



MATERIAL

HDPB OR EQUIVALENT
REPRODUCE MATERIAL DATA SHEET
FOR SPECIFIC PROPERTIES.

NOTES:

1. .790 THICK AT FITTING
2. WHITE OR COLDR
3. SHOT WEIGHT 175 LBS.

Ace Roto-Mold
A DIVISION OF DAN HANTON INDUSTRIAL, INC.
4018 HWY. 61 BLVD., BOX 471, HOSPERS, IOWA 51238

CLIENT / DESCRIPTION

911 GALLON OPEN TOP TANK
ND LID

SCALE

N.S.

PART NO.

OP0900-85

ALL DIMENSIONS ARE IN DECIMAL INCHES
TOLERANCES UNLESS OTHERWISE SPECIFIED
+ 1% @ 68° F