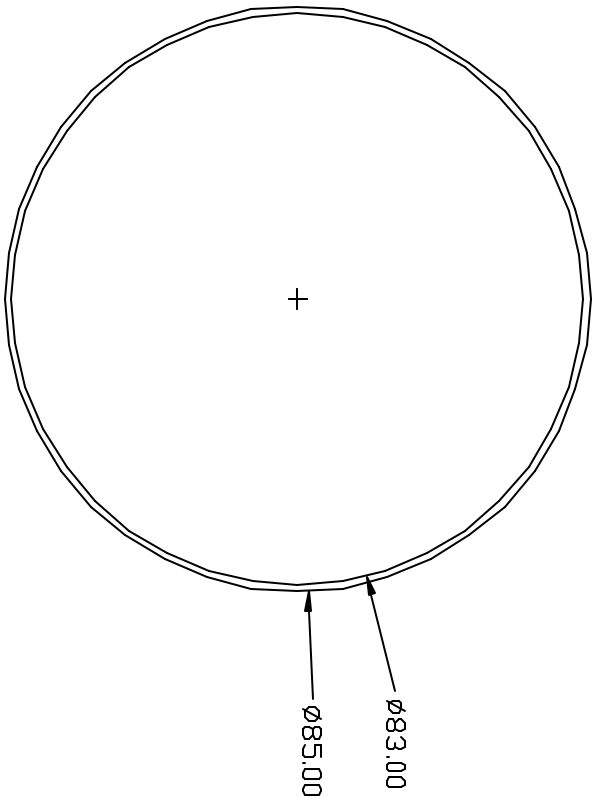


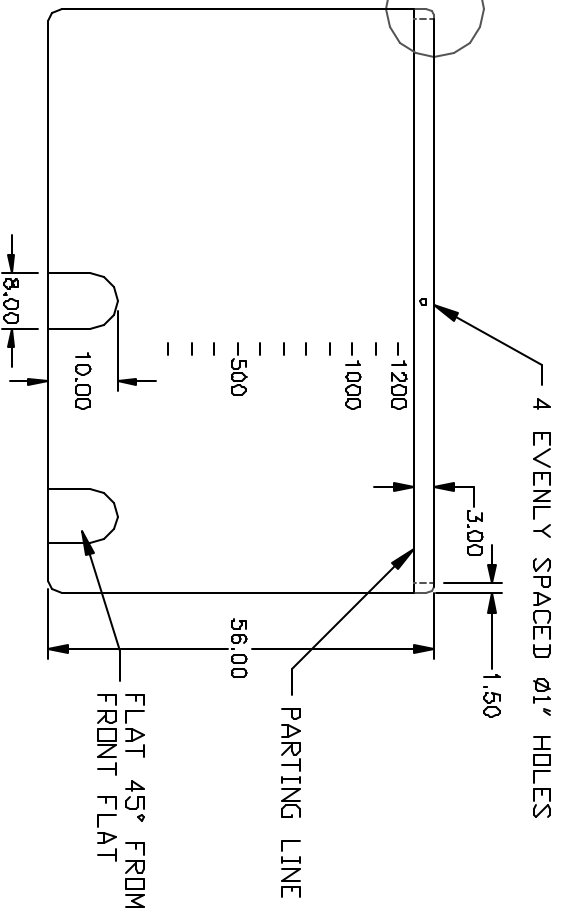
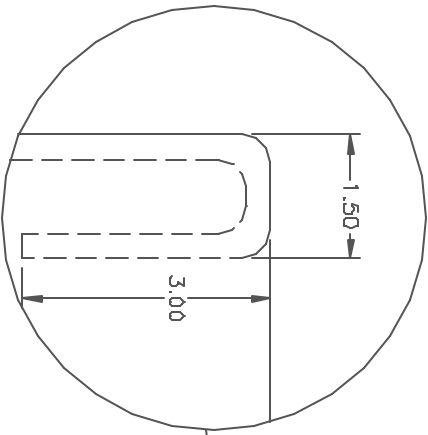
PROPRIETARY DATA

PROPERTY OF ACE ROTO-MOLD MFG., INC. INFORMATION FURNISHED HEREIN IS THE PROPERTY OF ACE ROTO-MOLD MFG., INC. AND SHALL NOT BE USED, DISCLOSED TO OTHERS, OR COPIED WITHOUT THE EXPRESSED WRITTEN CONSENT OF ACE ROTO-MOLD MFG., INC. ALL RIGHTS RESERVED.

OP1200-85

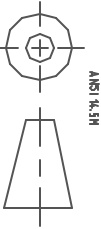


DETAIL OF RIM



DRAWN / DATE	NVE 6/13/15	MATERIAL	HOPE OR EQUIVALENT REPRODUCE MATERIAL DATA SHEET FOR SPECIFIC PROPERTIES.
APPRD. / DATE	DHJ 6/22/15	THIRD ANGLE PROJECTION	AMT KAH
REV	DESCRIPTION	DATE	APPRD.

THIRD ANGLE PROJECTION



NOTES:

1. 240 THICK AT FITTING
2. WHITE OR COLDR
3. SHDT WEIGHT 211 LBS.



CLIENT / DESCRIPTION

1200 GALLON OPEN TOP TANK

SCALE

N.S.

PART NO.

OP1200-85

ALL DIMENSIONS ARE IN DECIMAL INCHES
TOLERANCES UNLESS OTHERWISE SPECIFIED
+ 1% @ 68° F