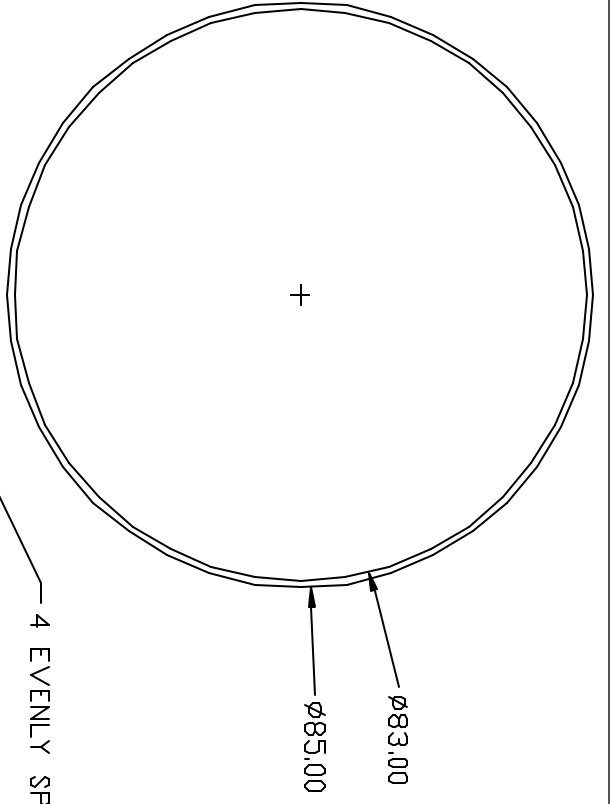


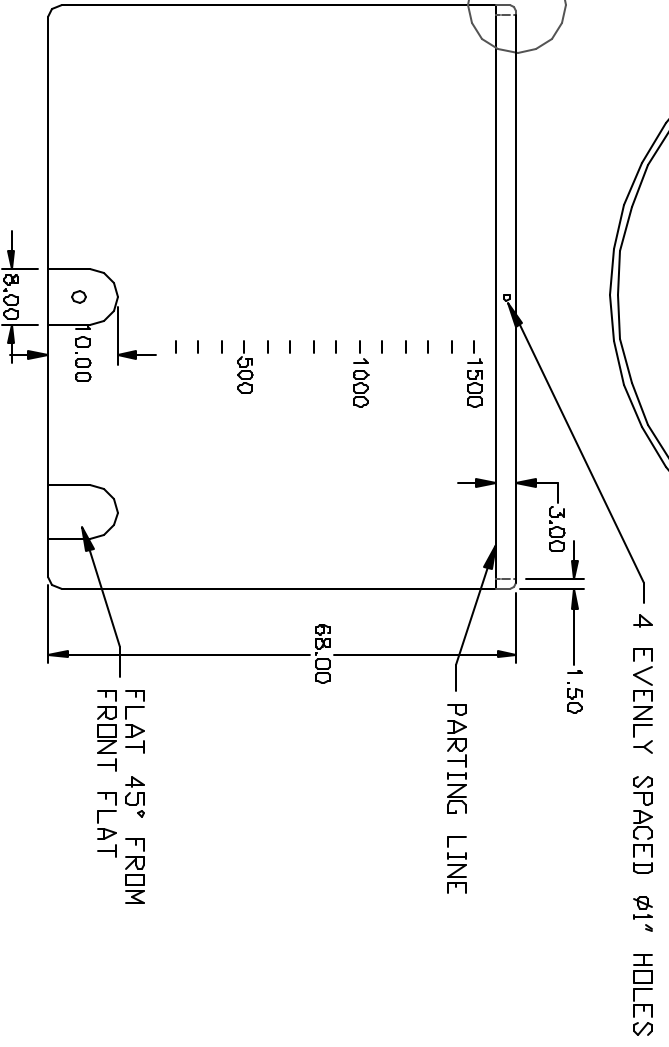
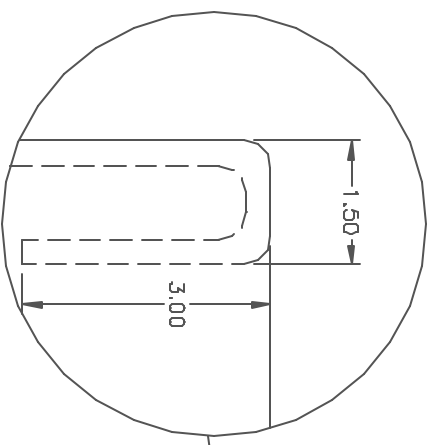
PROPRIETARY DATA

PROPERTY OF ACE ROTO-MOLD MFG., INC. INFORMATION FURNISHED HEREIN IS THE PROPERTY OF ACE ROTO-MOLD MFG., INC. AND SHALL NOT BE USED, DISCLOSED TO OTHERS, OR COPIED WITHOUT THE EXPRESSED WRITTEN CONSENT OF ACE ROTO-MOLD MFG., INC. ALL RIGHTS RESERVED.

OP1500-85



DETAIL OF RIM



DRAWN / DATE	NVE 6/13/15
APPRD. / DATE	DHJ 6/22/15
THIRD ANGLE PROJECTION	AMT K:SH

MATERIAL
 HDPE OR EQUIVALENT
 REFER TO MATERIAL DATA SHEET
 FOR SPECIFIC PROPERTIES.

CLIENT / DESCRIPTION
Ace Roto-Mold
 A DIVISION OF SUN HANTON INDUSTRIAL INC.
 4018 HWY. 61 BLVD., BOX 471, HOSPERS, INVA 51238
 1500 GALLON OPEN TOP TANK

REV	DESCRIPTION	DATE	APPRD

NOTES:
 1. 301 THICK AT FITTING
 2. WHITE OR COLDR
 3. SHOT WEIGHT 24.1 LBS.

SCALE
 N.S.
 PART NO.
 OP1500-85

ALL DIMENSIONS ARE IN DECIMAL INCHES
 TOLERANCES UNLESS OTHERWISE SPECIFIED
 + 1% @ 68° F